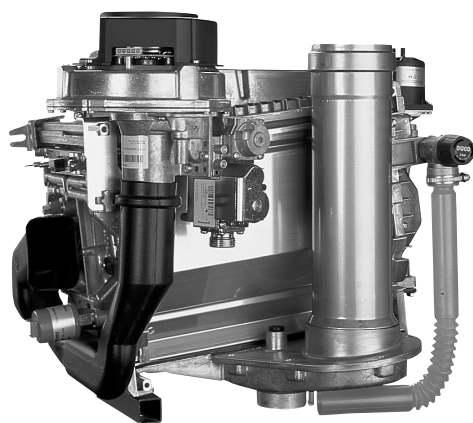


SERVICE-ONDERDELENLIJST
PIÈCES DÉTACHÉES



ATAG

Blauwe Engel

ATAG

Enigma

ATAG

Eco

ATAG

ComfortBoiler

ATAG

ZonneGasCombi

2022/1

Indien er bij de artikelomschrijving een aantal staat vermeld, betreft dit de leveringsomvang.
Voor onderdelen voor propaan toestellen kunt u informeren bij ATAG Verwarming afd. Service-onderdelen.
Een artikelnummer kan diverse malen in deze serviceonderdelenlijst voorkomen.

Zie voor de actuele prijzen de separate prijslijst.
Vraag uw ATAG account manager naar de meest recente prijslijst.

De informatie op de prijslijsten en de commerciële of technische documentatie, de schema's en afmetingen zijn ter informatie en geldit op dit moment. De constructeur behoudt zich het recht van veranderingen in presentatie, vorm, afmeting, bouw en samenstelling van zijn product.

S'il est indiqué une quantité à côté de la description d'article, cela concerne le contenu de la livraison.
Pour les pièces pour les appareils au propane, vous pouvez vous renseigner auprès d'ATAG Verwarming service pièces détachées.
Un numéro d'article peut apparaître plusieurs fois dans ce liste des pièces détachées.

Pour les prix actuels, voir la liste de prix séparée.
Demandez à votre représentant ATAG la dernière liste de prix.

Les informations sur les tarifs et la documentation commerciale ou technique, les schémas et dimensions sont à titre indicatif et valables à ce moment. Le fabricant se réserve le droit de modifier la présentation, la forme, les dimensions, la construction et la composition de son produit.

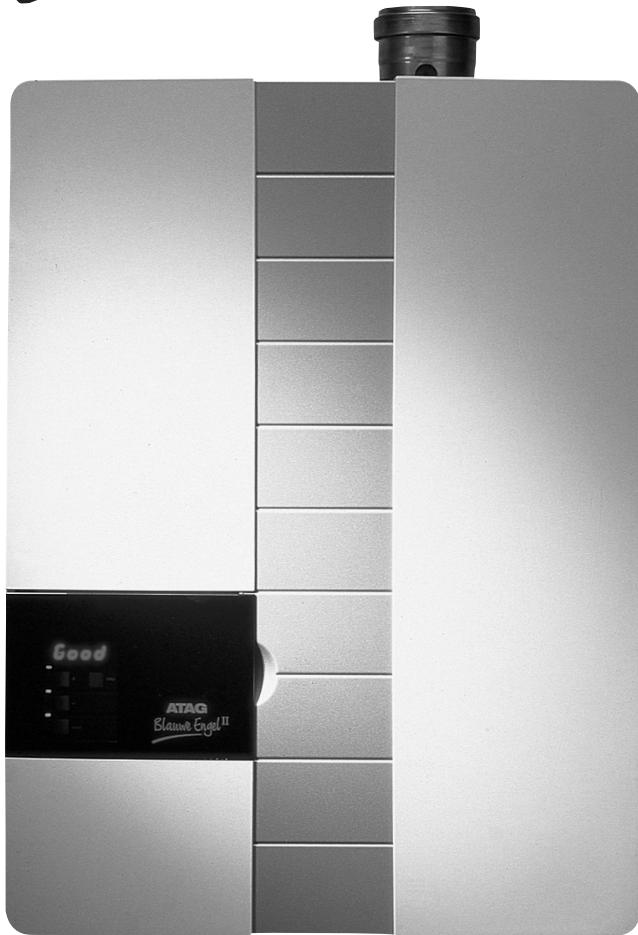
Inhoud

Sommaire

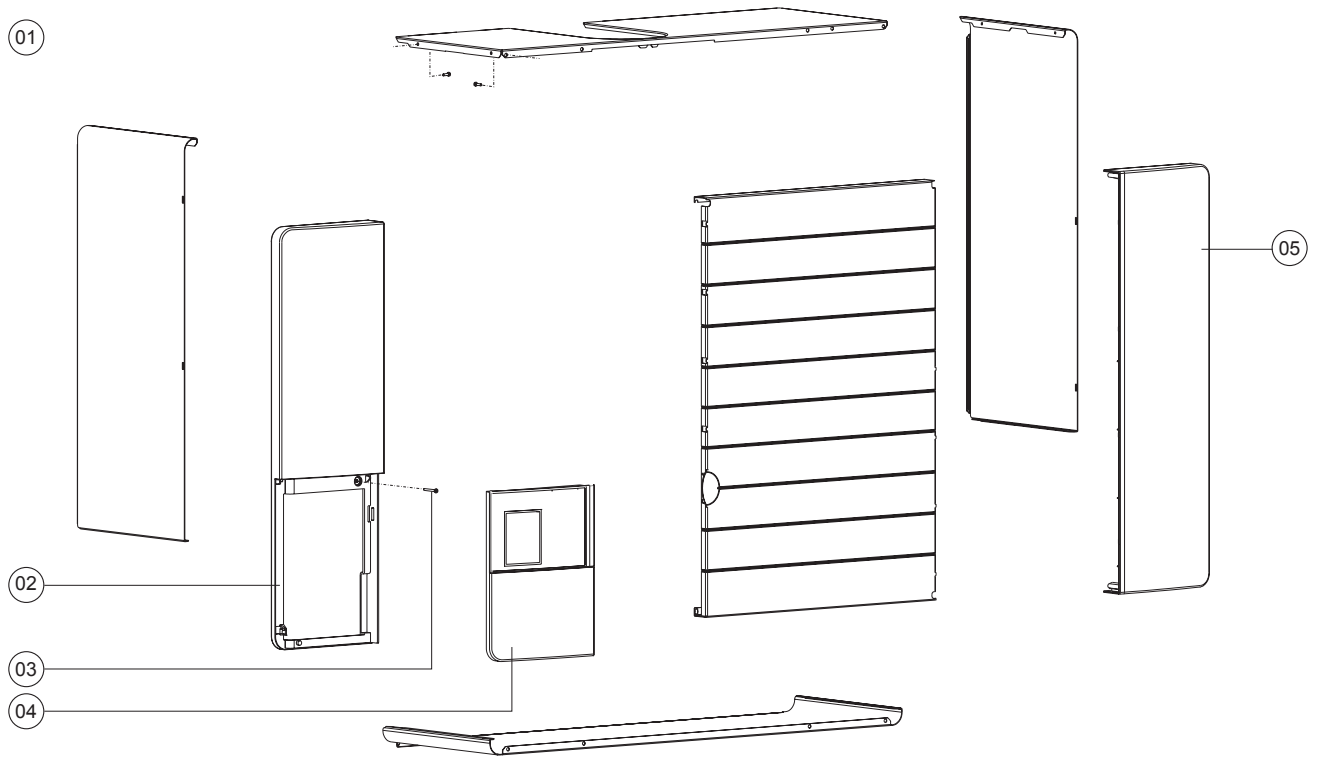
| | | |
|---|--|----|
| Blauwe Engel HR5000 | 5 | |
| Mantel | Habillage | 6 |
| Warmteblok | Échangeur de chaleur | 8 |
| Achterwand | Façade arrière | 10 |
| Elektrische componenten | Composants électriques | 12 |
| Boiler | Boiler | 14 |
| Enigma HR3000 | 17 | |
| Mantel | Habillage | 18 |
| Warmteblok en achterwand | Échangeur de chaleur et façade arrière | 20 |
| Hydraulische componenten | Composants hydrauliques | 22 |
| Elektrische componenten | Composants électriques | 24 |
| ComfortBoilers | 27 | |
| Mantel | Habillage | 28 |
| Boiler en leidingen | Boiler et conduites | 30 |
| Boilers CBS-Serie | Boilers série CBS | 32 |
| HR ZonneGasCombi | 35 | |
| Mantel | Habillage | 36 |
| Warmteblok | Échangeur de chaleur | 38 |
| Achterwand | Façade arrière | 40 |
| Elektrische componenten | Composants électriques | 42 |
| Leidingen sanitairzijdig en hydraulische componenten | Conduites d'ECS et composants hydrauliques | 44 |
| Leidingen collectorzijdig | Conduites côté solaire | 46 |
| Onderhoudssets en Speciaal-gereedschap / Kits d'entretien et outillage spécial | 47 | |
| Onderhoudssets OSS wisselaar/ Kits d'entretien échangeur OSS | 48 | |
| Specifieke OSS wisselaar-onderdelen / Pièces détachées spécifiques échangeur OSS | 50 | |

ATAG

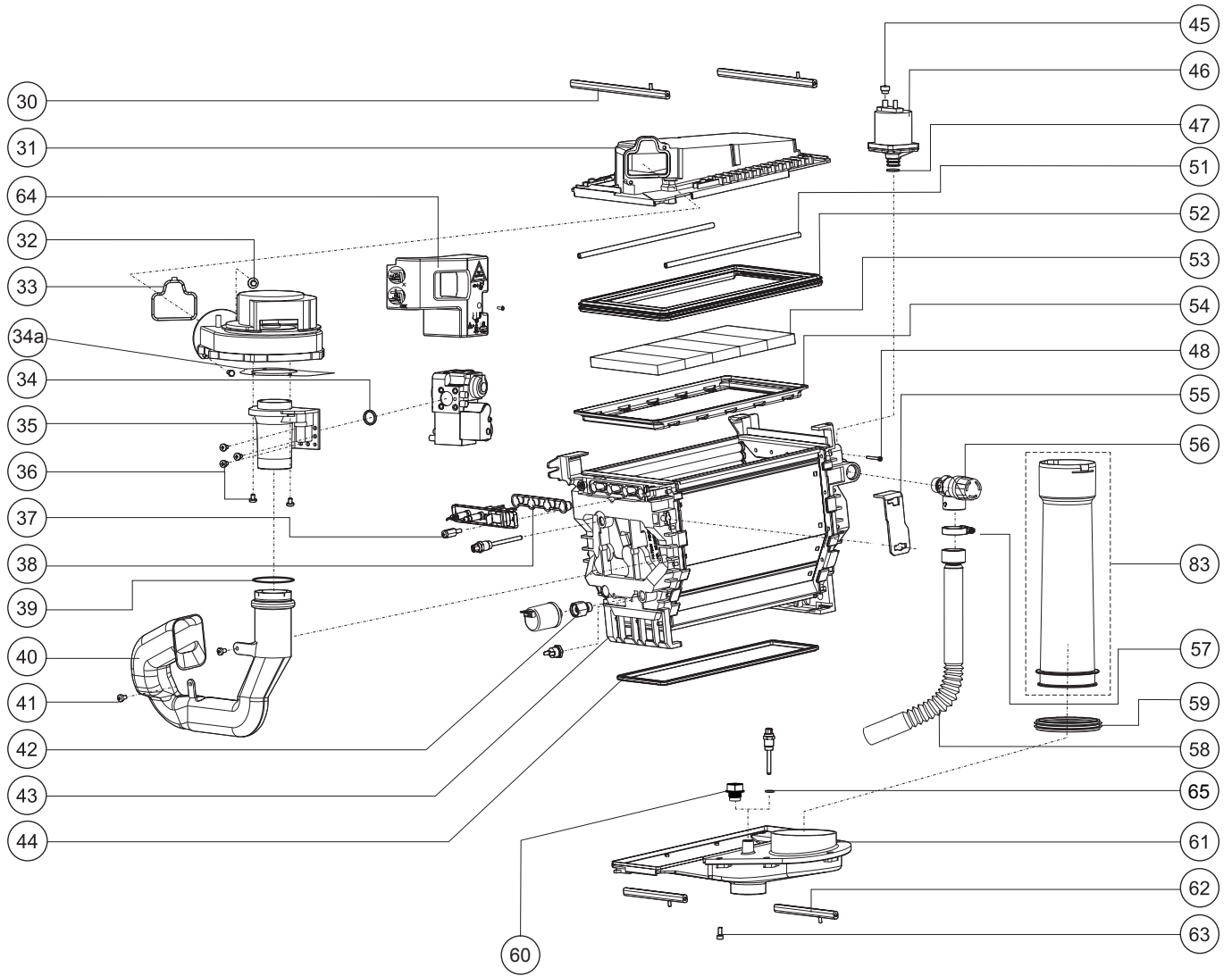
Blauwe Engel



- Blauwe Engel HR5002
- Blauwe Engel HR5003
- Blauwe Engel HR5033
- Blauwe Engel HR5005
- Blauwe Engel HR5055
- Blauwe Engel HR5007
- Blauwe Engel HR5077
- Blauwe Engel HR5008



| Pos. Omschrijving | Description | Art.nr. | Blauwe Engel HR5000 | | | | | | | |
|-----------------------------------|-----------------------------------|----------|---------------------|--------------------|--------------------|--------------------|--------------------|--------------------|--------------------|--------------------|
| | | | Compact | | | Solo | | | | |
| | | | HR5033 TA3BA10B | HR5055 TA5BB10B | HR5077 TA7BB10B | HR5002 SA2BA10B | HR5003 SA3BA10B | HR5005 SA5BB10B | HR5007 SA7BB10B | HR5008 SA8BB10B |
| No. d'article de chaudière | Type Art.nr. ketel | | | | | | | | | |
| 1 Mantel SHR15/24/35 | HABILLAGE SUPERIEUR SHR15/24/35 | | | | | X | X | X | | |
| Mantel SHR24/35t | HABILLAGE SUPERIEUR SHR24T/35T | | X | X | | | | | | |
| Mantel SHR51/60 | HABILLAGE SUPERIEUR SHR51/60 | | | | | | | | X | X |
| Mantel SHR51t | HABILLAGE SUPERIEUR SHR51T | | | X | | | | | | |
| 2 Paneel mantel kunststof L SHR | PANNEAUX PLASTIC HABILLAGE L SHR | | X | X | X | X | X | X | X | X |
| 3 Bout m 5x10 ck-pz din 84/4.8 5x | BOULON M 5X10 VENT-VANNE GAZ (5X) | S4345800 | X | X | X | X | X | X | X | X |
| 4 Deur mantel | PORTE ATAG SHR | S4324200 | X | X | X | X | X | X | X | X |
| Deursticker Blauwe Engel | AUTOCOLLANT INSTRUCTIONS SHR | 8A352002 | X | X | X | X | X | X | X | X |
| 5 Paneel mantel kunststof R SHR | PANNEAUX PLASTIC HABILLAGE R SHR | | X | X | X | X | X | X | X | X |



Zie pagina 46 voor speciale onderhoudssets.

Voir page 46 pour les kits spéciaux d'entretien.

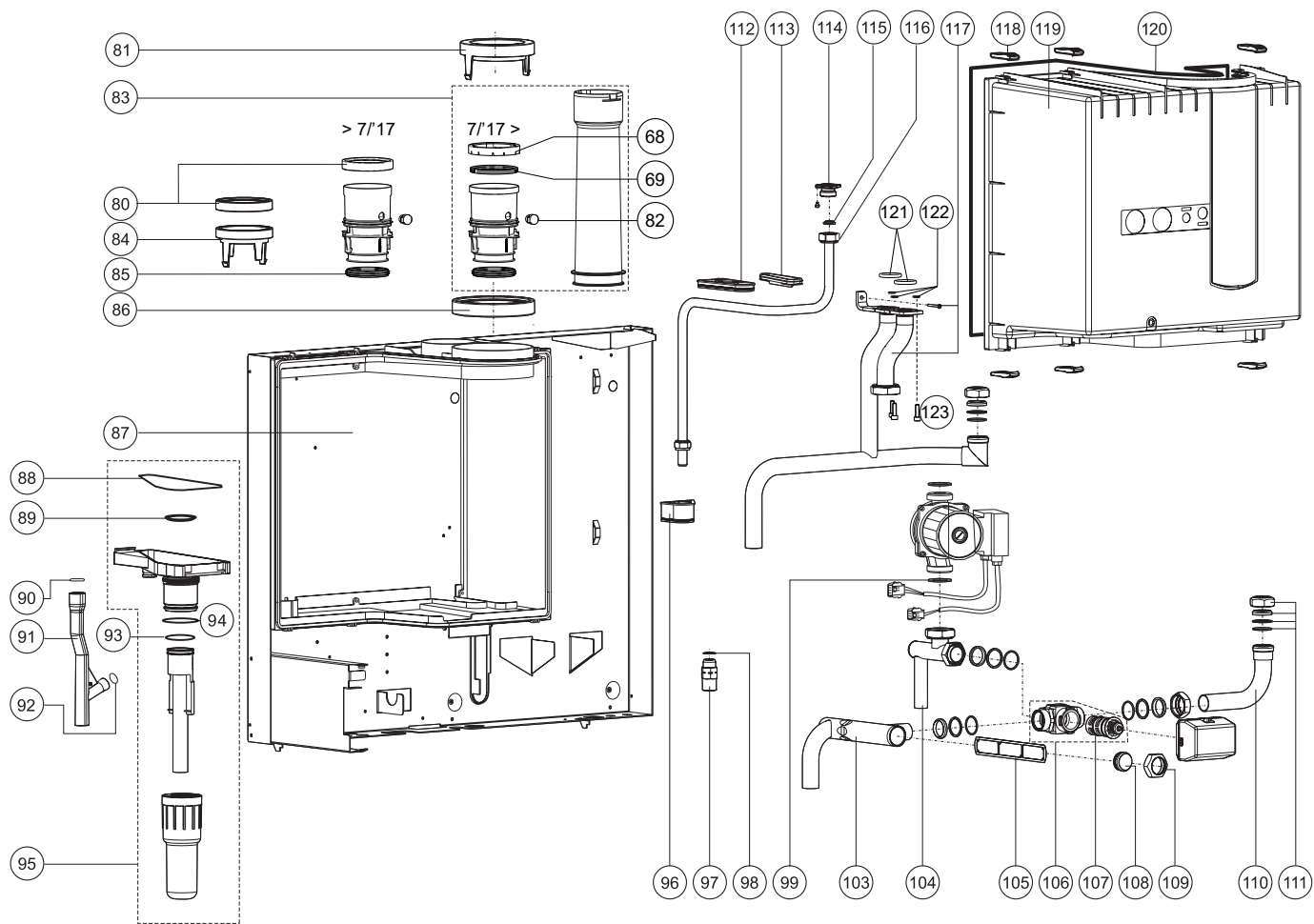


LET OP! De ketel kan voorzien zijn met een nieuwe OSS warmtewisselaar
Zie voor uitleg en complete OSS Onderhoudssets pagina 47.

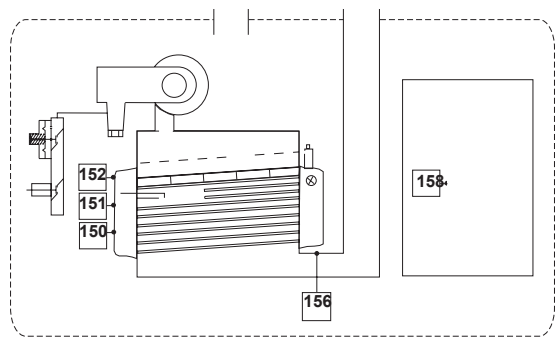


ATTENTION! La chaudière peut être équipée d'un nouvel échangeur de chaleur OSS
Voir page 47 pour explications et kits d'entretien complets OSS.

| Pos. | Omschrijving | Description | Art.nr. | Blauwe Engel HR5000 | | | | | | | | |
|------|-----------------------------------|-------------------------------------|----------|---------------------|--------------------|--------------------|--------------------|--------------------|--------------------|--------------------|--------------------|--|
| | | | | Compact | | | Solo | | | | | |
| | | | | HR5033 TA3BA10B | HR5055 TA5BB10B | HR5077 TA7BB10B | HR5002 SA2BA10B | HR5003 SA3BA10B | HR5005 SA5BB10B | HR5007 SA7BB10B | HR5008 SA8BB10B | |
| | No. d'article de chaudière | Type Art.nr. ketel | | | | | | | | | | |
| 30 | Klemstang bovenbak lang SHR | BARRE DE SERR. LONGUE TETE MEL. SHR | S4310800 | X | X | X | X | X | X | X | | |
| 31 | Bovenbak sam. SHR15/24 1:6 | TETE MELANGEUSE ECHANG.SHR15/24 1:6 | S4436110 | X | | | X | X | | | | |
| | Bovenbak sam. SHR35 | TETE MELANGEUSE ECHANGEUR SHR35 | S4371110 | | X | | | | X | | | |
| | Bovenbak sam. SHR51/60 | TETE MELANGEUSE ECHANGEUR SHR51/60 | S4371210 | | | X | | | | X | | |
| 32 | Bout m 5x16 din933 8.8 5x | BOULON M 5X16 (5X) | | X | X | X | X | X | X | X | | |
| 33 | Afdichting vent./bovenbak SHR | JOINT VENTILATEUR/TETE MELANG. SHR | S4305700 | X | X | X | X | X | X | X | | |
| 34 | Afdichting gasblok-venturi SHR | JOINT D'ETANCHIETE BLOC GAZ-VENTURI | S4337610 | X | X | X | X | X | X | X | | |
| 34a | Afdichting venturi-ventilator SHR | JOINT VENTURI-VENTILATEUR SHR | S4325610 | X | X | X | X | X | X | X | | |
| 35 | Venturi SHR24 | VENTURI SHR24 | S4318810 | X | | | X | X | | | | |
| | Venturi SHR35 | VENTURI SHR35 | S4318920 | | X | | | | X | | | |
| | Venturi SHR60 | VENTURI SHR60 | S4319020 | | | X | | | | X | | |
| 36 | Bout m5x12 gr fase zs din7985 5x | BOULON M 5X12GR FASE ZSDIN7985 5X | S4418710 | X | X | X | X | X | X | X | | |
| 37 | Bout m 6x30 ck-pz din 84/4.8 3x | BOULON M 6X30 (3X) | S4356300 | X | X | X | X | X | X | X | | |
| | Moer m 6x18 3x | ECROU M 6X18 (3X) | S4356400 | X | X | X | X | X | X | X | | |
| 38 | Afdichting ion/ontst. set SHR | KIT JOINT ETANCHIET IONIS/ALLUM.SHR | S4397100 | X | X | X | X | X | X | X | | |
| 39 | Afdichting aanzuigst-vent.SHR | JOINT D'ETANCHEITE ASP.AIR-VENT.SHR | S4309500 | X | X | X | X | X | X | X | | |
| 40 | Aanzuigstuk E/PF/SHR15/24 | ASPIRATION AIR E/PF/SHR15/24 | S4347510 | X | | | X | X | | | | |
| | Aanzuigstuk e/SHR 32/35 | ASPIRATION AIR E/SHR 32/35 | S4325510 | | X | | | | X | | | |
| | Aanzuigstuk SHR51/60 | ASPIRATION AIR SHR51/60 | S4324720 | | | X | | | | X | | |
| 41 | Schroef taplité m5x 8 ck-pd 3x | VIS M5 X 8 3X | S4167500 | X | X | X | X | X | X | X | | |
| 42 | Waterslot druksensor SHR | CHAMBRE EQ. SONDE PRESS.D'EAU SHR | S4325900 | X | X | X | X | X | X | X | | |
| 43 | Warmtewisselaar SHR15/24 | ECHANGEUR DE CHALEUR SHR15/24 | | X | | | X | X | | | | |
| | Warmtewisselaar SHR35 | ECHANGEUR DE CHALEUR SHR35 | | | X | | | | X | | | |
| | Warmtewisselaar SHR51/60 | ECHANGEUR DE CHALEUR SHR51/60 | | | | X | | | | X | | |
| | Kogelkopsleutel | TOURNEVIS ALLEN LONGE ECH. | S4363700 | X | X | X | X | X | X | X | | |
| | Anti condensbussen | ANTI CONDENSATION REGARD SHR3X | S4344200 | X | X | X | X | X | X | X | | |
| 44 | Afd. Wiss./condensb.SHR15/24 | JOINT ECHANG./BAC CONDENS. SHR15/24 | S4306300 | X | | | X | X | | | | |
| | Afd. Wiss./condensb.SHR35 | JOINT ECHANG./BAC CONDENSAT SHR35 | S4306400 | | X | | | | X | | | |
| | Afd. Wiss./condensb.SHR51/60 | JOINT ECHANG./BAC CONDENS. SHR51/60 | S4306500 | | | X | | | | X | | |
| 45 | Dop ontluchter SHR 3x | CAP PURGEUR CALEFFI 3X | S4380600 | X | X | X | X | X | X | X | | |
| 46 | Ontluchter E/PF/SHR chrom | PURGEUR E/PF/SHR CHROME | S4419110 | X | X | X | X | X | X | X | | |
| 47 | O-ring ø13,94x2,62 ontl.SHR 2x | O-RING Ø 13.94X2.62 PURGEUR SHR | S4342300 | X | X | X | X | X | X | X | | |
| 48 | Bout m 3x30 verz.din84/4.8 3x | BOULON M 3X30 (3X) | S4345900 | X | X | X | X | X | X | X | | |
| 49 | Revisieset isolatieplaten SHR | KIT PLAQUES ISOLATION SHR | S4500010 | X | X | X | X | X | X | X | | |
| | Revisieset pijpplaten 51/60 | KIT REVISION ISOLATION CACHE | S4472810 | | | X | | | | X | | |
| 51 | Slang siliconen l=14cm | TUYAU SILICONE L=14CM | S4440200 | X | | | X | X | | | | |
| | Slang siliconen l=25cm | TUYAU SILICONE L=25CM | S4440300 | | X | | | | X | | | |
| | Slang siliconen l=41cm | TUYAU SILICONE L=41CM | S4440400 | | | X | | | | X | | |
| 52 | Afdichting branderbed SHR15/24 | JOINT BRULEUR SHR15/24 | S4305910 | X | | | X | X | | | | |
| | Afdichting branderbed SHR35 | JOINT BRULEUR SHR35 | S4306000 | | X | | | | X | | | |
| | Afdichting branderbed SHR51/60 | JOINT BRULEUR SHR51/60 | S4306110 | | | X | | | | X | | |
| 53 | Branderbed SHR 15/24kw aardgas | BRÛLEUR S-HR 15/24 GAS NATUREL | S4330130 | X | | | X | X | | | | |
| | Branderbed SHR 15/24kw propaan | BRÛLEUR S-HR 15/25 GPL | S4386820 | X | | | X | X | | | | |
| | Branderbed S-HR 35/35t aardgas | BRÛLEUR S-HR 35 GAS NATUREL | S4523920 | | X | | | | X | | | |
| | Branderbed S-HR 35/35t propaan | BRÛLEUR S-HR 35 GPL | S4386920 | | X | | | | X | | | |
| | Branderbed S-HR 51/51t/60 aardgas | BRÛLEUR S-HR51/60 GAS NATUREL | S4828200 | | | X | | | | X | | |
| | Branderbed S-HR 51/51t/61 propaan | BRÛLEUR S-HR51/60 GPL | S4838400 | | | X | | | | X | | |
| | Fiberfax 165x8x3 | FIBERFRAX 165X 8X3 2 X | S4335300 | X | X | X | X | X | X | X | | |
| 54 | Opsluiflyst brander SHR15/24 | CADRE BRULEUR SHR15/24 | S4304310 | X | X | | X | X | X | | | |
| | Opsluiflyst brander SHR35 | CADRE BRULEUR SHR35 | S4304410 | | | X | | | | X | | |
| 55 | Bevestigingshaak bovenbak | FIXATION TETE MELANGEUSE | S4308500 | X | X | X | X | X | X | X | | |
| 56 | Overstorventiel set 3 bar | VANNE DE SÉCURITÉ 3 BAR PF/E/SHR | S4344630 | X | X | X | X | X | X | X | | |
| 57 | Slangklem 20-32 mm RVS | COLLIER SERRAGE TUYAU 20-32MM INOX | S4395600 | X | X | X | X | X | X | X | | |
| 58 | Leiding overstort SHR | CONDUITE VANNE SÉCURITÉ SHR | S4467300 | X | X | X | X | X | X | X | | |
| 59 | Lip-ring ø63 amgas | JOINT A LEVRE Ø 63 AMGAS | S4307900 | X | | | X | X | | | | |
| | Lip-ring ø80 amgas | JOINT A LEVRE Ø 80 AMGAS | S4304200 | | X | X | | | X | X | | |
| 60 | Stop 1/4" | BOUCHON 1/4" | S4674500 | X | X | X | X | X | X | X | | |
| 61 | Condensbak SHR15/24 | BAC CONDENSATS SHR15/24 | S4406920 | X | | | X | X | | | | |
| | Condensbak SHR35 | BAC CONDENSATS SHR35 | S4407020 | | X | | | | X | | | |
| | Condensbak SHR51/60 | BAC CONDENSATS SHR51/60 | S4407110 | | | X | | | | X | | |
| 62 | Klemstang condensb PF/E/SHR | BARRE DE SERR. BAC CONDENS.PF/E/SHR | S4310700 | X | X | X | X | X | X | X | | |
| 63 | Schroef M 5X12 imbus VERZ. 3x | BOULON M 5X12 ALLEN 3X | S4440000 | X | X | X | X | X | X | X | | |
| 64 | Gasblok afdekkap | CACHE BLOC GAZ | S4558000 | X | X | X | X | X | X | X | | |
| 65 | O-ring ø5x2 | O-RING Ø 5.00X2.00 SONDE DEPART 5X | S4329400 | | | | X | X | | X | | |



| Pos. | Omschrijving | Description | Art.nr. | Blauwe Engel HR5000 | | | | | | | |
|------|------------------------------------|--------------------------------------|---------------|---------------------|--------------------|--------------------|--------------------|--------------------|--------------------|--------------------|--------------------|
| | | | | Compact | | | Solo | | | | |
| | No. d'article de chaudière | Type | Art.nr. ketel | HR5033 TA3BA10B | HR5055 TA5BB10B | HR5077 TA7BB10B | HR5002 SA2BA10B | HR5003 SA3BA10B | HR5005 SA5BB10B | HR5007 SA7BB10B | HR5008 SA8BB10B |
| | Vanaf 7/17: | À partir de 7/17: | | | | | | | | | |
| 68 | Klemring uitlaatstomp Ø80 | Fixation joint d'évacuation | S4905800 | X | X | X | X | X | X | X | X |
| 69 | Afdichting rookgasafvoer Ø 80 (3X) | Joint d'évacuation 3X | S4816700 | X | X | X | X | X | X | X | X |
| 80 | Afdichting luchttoevoer ø80 SHR | JOINT ASPIRATION AIR Ø 80 SHR | S4323510 | X | X | X | X | X | X | X | X |
| 81 | Deksel luchttoevoer ø 120/80 | COUVERCLE ASPIR. AIR CONC.120/80 | S4323410 | X | X | X | X | X | X | X | X |
| 82 | Tule + stop uitlaatstop | TULLE + BOUCHON EVACUATION EPDM | S4521600 | X | X | X | X | X | X | X | X |
| 83 | Rookg.afv. Pp sam. SHR15-24 mr | EVACUAT.FUMÉES PP SHR/E/PF 15-24 MR | S4499400 | X | | | X | X | | | |
| | Rookg.afv. Pp sam. SHR 35 zr | EVACUAT.FUMÉES PP SHR/E/PF 35KW ZR | S4500500 | | X | | | | X | | |
| | Rookg.afv. Pp sam. SHR 51-60 zr | EVACUAT.FUMÉES PP SHR/E/PF 51-60 ZR | S4500700 | | | X | | | | X | X |
| 84 | Deksel luchttoev. 80 SHR | COUVERCLE ASPIR AIR Ø80 SHR | S4323310 | X | X | X | X | X | X | X | X |
| 85 | Afdichting uitlaattype pp SHR | JOINT ETANCHEITE EVAC.FUMÉES PP SHR | S4472600 | X | X | X | X | X | X | X | X |
| 86 | Afdichting luchttoev. ø120 SHR | JOINT ASPIRATION AIR Ø120 | S4323710 | X | X | X | X | X | X | X | X |
| 87 | Luchtkast achterzijde SHR15-35 | BOITE A AIR ARRIERE SHR15/24/35 | S4316100 | X | X | | X | X | X | | |
| | Luchtkast achterzijde SHR51/60 | BOITE A AIR ARRIERE SHR51/60 | S4316210 | | | X | | | | X | X |
| 88 | Afdichting sifonbak-luchtk.SHR | JOINT SIPHON-BOITE A AIR.SHR | S4339110 | X | X | X | X | X | X | X | X |
| 89 | Afdichting sifonpyp-luchtk.SHR | JOINT CONDUITE SIPH-BOITE A AIR.SHR | S4316300 | X | X | X | X | X | X | X | X |
| 90 | O-ring ø19,50x1,80 sifonbak | O-RING Ø 19.50X1.80 SIPHON | S4312100 | X | X | X | X | X | X | X | X |
| 91 | Condensafvoerpipj SHR | EVACUATION CONDENSATS SHR | S4316500 | X | X | X | X | X | X | X | X |
| 92 | O-ring ø12,42x1,78 sifon 3x | O-RING Ø 12.42X1.78 | S4342400 | X | X | X | | | | | |
| 93 | O-ring ø40 Sifonbak | O-RING Ø 40.00X3.50 BAC CONDENS.SHR | S4309900 | X | X | X | X | X | X | X | X |
| 94 | O-ring ø50 Sifonbeker | O-RING Ø50.00X3.50 COUPE SIPHON SHR | S4316400 | X | X | X | X | X | X | X | X |
| 95 | Sifon compleet SHR pp | SIPHON COMPLET SHR PP | S4451610 | X | X | X | X | X | X | X | X |
| 96 | Doorvoer gasleid.luchtk.SHR | PASSAGE CONDUITE GAZ-BOITE A AIR | S4316100 | X | X | X | X | X | X | X | X |
| 97 | Pypnippel 1/2"+O-ring SHR15-35 | MAMELON 1/2" AVEC O-RING SHR | S4493300 | X | X | | X | X | X | | |
| | Pypnippel 3/4" met O-ring | MAMELON 3/4" AVEC O-RING SHR | S4498800 | | | X | | | | X | X |
| 98 | O-ring ø13,94x2,62 geel silic. | O-RING Ø 13.94X2.62 JAUNE | S4328710 | X | X | X | X | X | X | X | X |
| 99 | Pomppakking 2x | JOINT DE POMPE (2X) | S1003810 | X | X | | X | X | X | X | X |
| 103 | Leid. Ret.-pomp filt. SHR15-35 | CONDUITE RET.-POMPE FILT SHR15-35 | S4317800 | | | | X | X | X | | |
| | Leid. Ret.-dwk filt. SHR15-35 | CONDUITE RET.-V3V FILT. SHR15-35 | S4317700 | X | X | | | | | | |
| | Leid. Ret.-pomp filt. SHR51/60 | COND.RETOUR-POMPE FILTRE SHR51/60 | S4326700 | | | | | | | X | X |
| | Leid. Ret.-dwk filt. SHR51/60 | COND.RETOUR-VANNE 3VFILTRE SHR51/60 | S4326600 | | | | | | | | |
| 104 | Leiding dwk-pomp ext. Exp.vat | CONDUITE 3V3-POMPE EXT.VASE EXP.SHR | S4318020 | X | X | X | | | | | |
| 105 | Filter retourleiding SHR | FILTRE CONDUITE RETOUR SHR | S4317500 | X | X | X | X | X | X | X | X |
| 106 | Driewegklep huis VC O-ring | VANNE 3 VOIES CORPS VC O-RING | S4308200 | X | X | X | | | | | |
| 107 | Cartridge VC-driewegklep | CARTOUCHE VC-VANNE 3 VOIES | S4268400 | X | X | X | | | | | |
| 108 | Filterdop PF/E/SHR | CAP FILTRE PF/E/SHR | S4317610 | X | X | X | X | X | X | X | X |
| | O-ring ø25,07 x 2,62 dwk | O-RING Ø25.07 X 2.62 | S4158300 | X | X | X | X | X | X | X | X |
| 109 | Wartel m35 30ø | EMERILLON M35 30° BISEAUTE | S4259500 | X | X | X | X | X | X | X | X |
| 110 | Leiding boiler-dwk SHR | CONDUITE BOILER-V3V SHR | S4317900 | X | X | X | | | | | |
| 111 | Koppelingsset boiler combi | KIT DE RACCORDEMENT BOILER | S4272100 | X | X | X | | | | | |
| | Wartel m35 30ø | EMERILLON M35 30° BISEAUTE | S4259500 | X | X | X | | | | | |
| | O-ring ø26,70x 1,78 boiler | O-RING Ø 26.70X1.78 BOILER (3X) | S4259800 | X | X | X | | | | | |
| 112 | Doorvoer CV leiding | PASSAGE CONDUITE CHAUFF | S4310610 | X | X | X | X | X | X | X | X |
| 113 | Servicetule luchtk.-wiss. SHR | TULLE DE SERVICE BOITE AIR.-ECH.SHR | S4317200 | X | X | X | X | X | X | X | X |
| 114 | Koppeling regelblok 3/4"SHR | KIT RACCORDEMENT BLOC GAZ PF/E/SHR | S4340900 | X | X | X | X | X | X | X | X |
| | O-ring ø21,89x2,62 gasleiding 3x | O-RING Ø21.89X2.62 CONDUITE GAZ 3X | S4334500 | X | X | X | X | X | X | X | X |
| 115 | Afdichting kopp.3/4"gasbl.SHR | JOINT RACCORD 3/4" BLOC GAZ SHR | S4340830 | X | X | X | X | X | X | X | X |
| 116 | Gasleiding kpl. SHR15/24 | CONDUITE GAZ CPL. SHR15/24 | S4340410 | X | | | X | X | | | |
| | Gasleiding kpl. SHR35/51/60 | CONDUITE GAZ CPL. SHR35/51/60 | S4340510 | | X | X | | | X | X | X |
| 117 | Leiding aanvoer SHR15/24 | CONDUITE DEPART SHR15/24 | S4318510 | | | | X | X | | | |
| | Leiding boiler-CV SHR15/24 | CONDUITE BOILER -CC SHR15/24 | S4318200 | X | | | | | | | |
| | Leiding aanvoer SHR35 | CONDUITE DEPART SHR35 | S4318610 | | | | | | X | | |
| | Leiding boiler-CV SHR35 | CONDUITE BOILER -CC SHR35 | S4318300 | | X | | | | | | |
| | Leiding aanvoer SHR51/60 | CONDUITE DEPART SHR51/60 | S4318700 | | | | | | | X | X |
| | Leiding boiler-cv SHR51/60 | CONDUITE BOILER -CC SHR51/60 | S4318400 | | | X | | | | | |
| | Bevestigingsschroef 5x | VIS AUTOTARAUDEUS 4.8X13POINTUES 5X | | X | X | X | X | X | X | X | X |
| | O-ring ø29,74x3,53 aanv./ret.2x | O-RING Ø 29.74X3.53 DEPART/RET. (2X) | S4312300 | X | X | X | X | X | X | X | X |
| | Vul- en aftapkraan | VANNE DE REMPLISSAGE/VIDANGE | S1002200 | X | X | X | X | X | X | X | X |
| 118 | Sluiting luchtkast rood SHR | FERMOIR BOITE A AIR ROUGE SHR | S4322500 | X | X | X | X | X | X | X | X |
| 119 | Luchtkast SHR 15-24-35 | BOITE A AIR AVANT SHR15/24/35 | S4315800 | X | X | | X | X | X | | |
| | Luchtkast SHR 51-60 | BOITE A AIR AVANT SHR51/60 | S4315900 | | | X | | | | X | X |
| 120 | Afdichting luchtkast ø5,5 | JOINT D'ETANCHIETE Ø5,5 EPDM | S4397000 | X | X | X | X | X | X | X | X |
| 121 | O-ring ø29,74x3,53 aanv./ret. (2x) | O-RING Ø 29.74X3.53 DEPART/RET. (2X) | S4312300 | X | X | X | X | X | X | X | X |
| 122 | O-ring ø4,76x1,78 borg WW (3x) | O-RING Ø 4.76X1.78 SEC.ECH SHR(3X) | S4322320 | X | X | X | X | X | X | X | X |
| 123 | Bout m6x20 rvs(a2)imb. Bp.4,2 3x | VIS m6x20 rvs(a2)imb. Bp.4,2 3x | S4307220 | X | X | X | X | X | X | X | X |

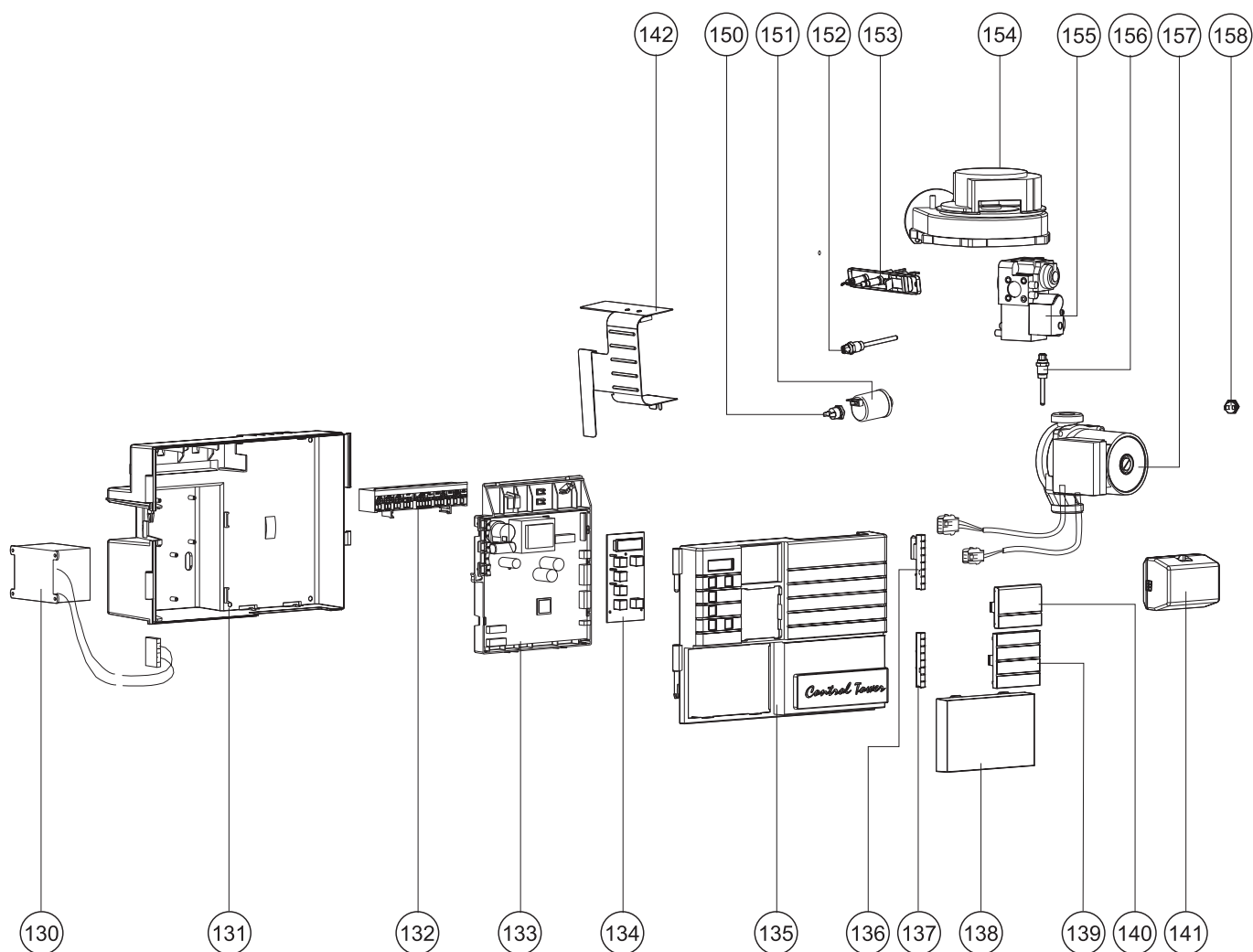


- 152 T1 aanvoersensor
- 150 T2 retour sensor
- 158 T3 warmwatersensor
- 156 T5 rookgassensor

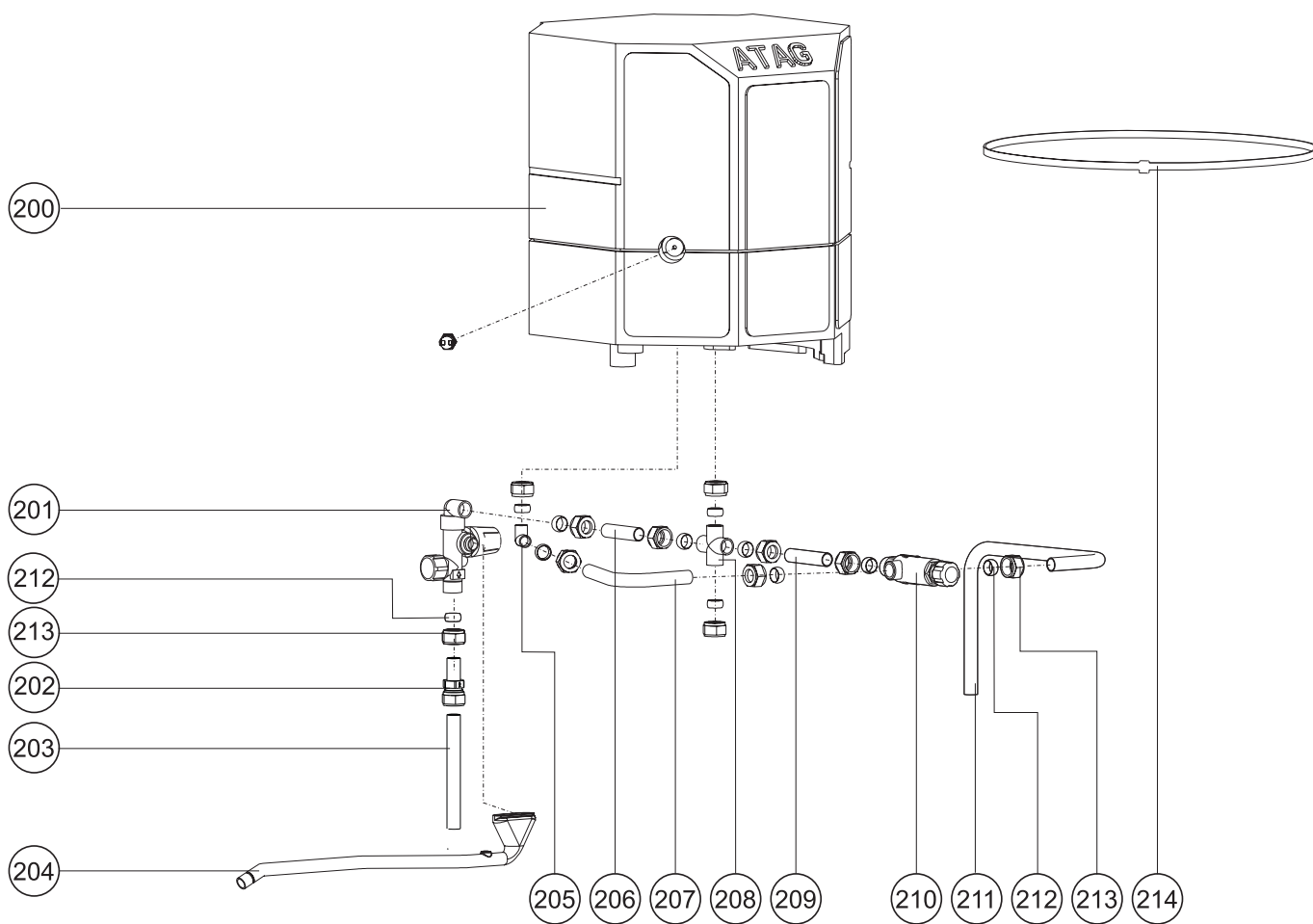
- sonde départ NTC12K
- sonde retour NTC12K
- sonde ECS NTC12k
- sonde fuméea NTC12k

- 151 P1 waterdruksensor

- sonde pression d'eau



| Pos. | Omschrijving | Description | Art.nr. | Blauwe Engel HR5000 | | | | | | | |
|----------------------------|--|---|----------|---------------------|--------------------|--------------------|--------------------|--------------------|--------------------|--------------------|--------------------|
| | | | | Compact | | | Solo | | | | |
| | | | | HR5033 TA3BA10B | HR5055 TA5BB10B | HR5077 TA7BB10B | HR5002 SA2BA10B | HR5003 SA3BA10B | HR5005 SA5BB10B | HR5007 SA7BB10B | HR5008 SA8BB10B |
| No. d'article de chaudière | Type Art.nr. ketel | | | | | | | | | | |
| 130 | Trafo 72 VA + zelftappers SHR | TRAF0 72 VA FAN 24V + VIS | S4324900 | X | X | X | X | X | X | X | X |
| | Bevestigingsschroef 5x | VIS AUTOTARAUEUS 3,5X 9,5 POINT 5X | S4370300 | X | X | X | X | X | X | X | X |
| 131 | Control tower achterdeel SHR | BOITIER DE COMMANDE ARRIERE SHR | S4322700 | X | X | X | X | X | X | X | X |
| 132 | Kabelboom kpl. aansl.blok SHR | BORNIER CPL S-HR/Q | S4398510 | X | X | X | X | X | X | X | X |
| | Sticker aansluitblok ct | AUTOCOLLANT BORNIER DE CONNEXION | 8A352202 | X | X | X | X | X | X | X | X |
| | Anschl.kabel+Stecker l=1900 | CABLE DE RACCORDEMENT-FICHE L=1900 | S4320100 | X | X | X | X | X | X | X | X |
| | Stekker 2-polig paars | CONNECTEUR 2-POLES VIOLET | S4320300 | X | X | X | X | X | X | X | X |
| | Stekker 2-polig zwart | CONNECTEUR 2-POLES NOIR | S4320500 | X | X | X | X | X | X | X | X |
| | Stekker 3-polig groen ext.pomp | CONNECTEUR 3-POLES VERT POMPE EXT. | S4351300 | | | X | | | | X | X |
| | Stekker 3-polig grijs | CONNECTEUR 3-POLES GRIS | S4380900 | | | | | | | | |
| | Stekker 3-polig transp. Snij | CONNECTEUR 3-POLES TRANSP. | S4380800 | | | | | | | | |
| | Stekker 3-polig geel | CONNECTEUR 3-POLES JAUNE | S4379500 | X | X | X | X | X | X | X | X |
| | Stekker 3-polig oranje | CONNECTEUR 3-POLES ORANGE | S4379600 | X | X | X | X | X | X | X | X |
| | Stekker 4-polig bruin | CONNECTEUR 4-POLES BRUN | S4320600 | X | X | X | X | X | X | X | X |
| | Stekker 6-polig blauw | CONNECTEUR 6-POLES BLEU | S4350600 | | | | X | X | X | X | X |
| | Kabelboom driewegklep SHR | BORNIER VANNE 3 VOIES S-HR | S4319900 | X | X | X | | | | | |
| | Anticipatieweerst. 220Ohm SHR | RESISTANCE D'ANTICIPATION 220OHM | S4325000 | X | X | X | X | X | X | X | X |
| 133 | Stuurautomaat MCBA 5415 | UNITÉ DE COMMANDE 5415 HR.C.SÉRIE Q | S4711200 | X | X | X | X | X | X | X | X |
| | Interface EBV Clip in | INTERFACE EBV CLIP IN | S4338030 | X | X | X | X | X | X | X | X |
| | Kabel Brain-x11 MCBA1415d v2.0 | CABLE BRAIN-X11 MCBA1415D V2.0 | S4378800 | X | X | X | X | X | X | X | X |
| | Zekering glas 100 mA 250 3x | FUSIBLE VERRE 100 MA 250 3X | S4352800 | X | X | X | X | X | X | X | X |
| | Zekering glas 2,0 Af 250 3x | FUSIBLE VERRE 2,0 AF 250 3X | S4353000 | X | X | X | X | X | X | X | X |
| | Zekering glas 3,0 At 250 3x | FUSIBLE VERRE 3,0 AT 250 3X | S4352900 | X | X | X | X | X | X | X | X |
| 134 | Display MCBA 1415 SHR | ECRAN MCBA 1415 SHR | S4713600 | X | X | X | X | X | X | X | X |
| | Bandkabel Display L=420 SHR | CABLE PLAT ECRAN L=420 SHR | S4320020 | X | X | X | X | X | X | X | X |
| 135 | Control tower voor kpl. SHR | BOITIER DE COMMANDE AVANT CPL SHR | S4322800 | X | X | X | X | X | X | X | X |
| 136 | Sluiting contr.t.-lucht. SHR | FERMOIR BOITIER COMM-BOITE A AIR-HR | S4323200 | X | X | X | X | X | X | X | X |
| 137 | Sluiting contr.t. SHR | FERMOIR BOITIER DE COMM. S-HR | S4323100 | X | X | X | X | X | X | X | X |
| 138 | Kap ct onder SHR | COUV.VOITIER DE COMM. INFER. S-HR | S4323000 | X | X | X | X | X | X | X | X |
| 139 | Kap ct midden SHR | COUV.BOITIER DE COMM.MILIEU SHR | S4322900 | X | X | X | X | X | X | X | X |
| 140 | Kap ct boven dicht SHR | COUV.SUP FERME BOITIER DE COMM.S-HR | S4322800 | X | X | X | X | X | X | X | X |
| 141 | Driewegklep motor VC2010 SHR | MOTEUR VANNE 3 VOIES VC2010 SHR | S4334910 | X | | | | | | | |
| | Driewegklep motor VC6940 SHR | MOTEUR VANNE 3 VOIES VC6940 SHR | S4335010 | | X | X | | | | | |
| 142 | Luchtkasttemperatuurbewijling | SHT AVEC CACHE | S4552800 | X | X | X | X | X | X | X | X |
| 150 | NTC SHR/Boiler/ZGC T2/T3/T8/T9 | SONDE NTC SHR/ZGC T2/T3/T8/T9 | S4309700 | X | X | X | X | X | X | X | X |
| 151 | Waterdruksensor + waterslot | SONDE PRESSION D'EAU + CLAPET ANTI-RETS | S4466300 | X | X | X | X | X | X | X | X |
| | Verloopkabel waterdruksensor Voor ketels van bouwjaar '96-'99 | CABLE ADAPTAT. SONDE PRESS EAU SHR POUR CHAUDIÈRES AVANT '96-'99 | S4435400 | X | X | X | X | X | X | X | X |
| 152 | NTC aanvoer T1/E-PF NTC T3 | SONDE DEPART T1 / E-PF NTC T3 | S4307420 | X | X | X | X | X | X | X | X |
| 153 | Elektrode ontst.+pakk. SHR | ELECTRODE ALLUM.-ION.+JOINT SHR | S4311600 | X | X | X | X | X | X | X | X |
| | Ontstekingskabel kpl. SHR | CABLE D'ALLUMAGE CPL SHR | S4323800 | X | X | X | X | X | X | X | X |
| | Ionisatiedraad SHR | CABLE D'IONISATION SHR | S4323900 | X | X | X | X | X | X | X | X |
| 154 | Vent.motor 24V DCgedempt15-35 | VENTILATEUR TYPE 24V DC 15/35 | S4442720 | X | X | | X | X | X | | |
| | Ventilatormotor 230V AC+ SHR | VENTILATEUR TYPE 230V SHR51/60 | S4310520 | | | X | | | | X | X |
| | Aansluitn. Vent.230v shr51/60 | CABLE DE RACCORDEMENT 230V SHR51/60 | S4319810 | | | X | | | | X | X |
| 155 | Gasblok PF/E/SHR | BLOC GAZ HONEYWELL PF/E/SHR | S4304700 | X | X | X | X | X | X | X | X |
| | Adapter gasblok SHR | ADAPTATEUR BLOC GAZ SHR | S4307710 | X | X | X | X | X | X | X | X |
| 156 | NTC rookgas T5 SHR | SONDE NTC FUMÉES T5 SHR. | S4339510 | X | X | X | X | X | X | X | X |
| | Verl.kabel rookg.sens.SHR51/60 | CABLE RED. SONDE FUMÉE SHR51/60 | S4352000 | | | X | | | | X | X |
| | NTC rookgas T5 + kabel SHR | SONDE NTC FUMÉES T5 + CABLE SHR | S4368200 | X | X | X | X | X | X | X | X |
| 157 | Pomp UPER 20-60 SHR | POMPE UPER 20-60 S-HR | S4527000 | X | X | | X | X | X | | |
| | Pomp UPER 20-70 SHR | POMPE UPER 20-70 S-HR/Q | S4528500 | | | X | | | | X | X |
| 158 | NTC SHR/Boiler/ZGC T2/T3/T8/T9 | SONDE NTC SHR/ZGC T2/T3/T8/T9 | S4309700 | | X | X | | | | | |
| | Control Tower compleet | CONTROL TOWER COMPLET | S4779400 | X | X | X | X | X | X | X | X |
| | Control Tower bestaat uit: | CONTROL TOWER COMPREND: | | | | | | | | | |
| 131 | Control tower achterdeel SHR | BOITIER DE COMMANDE ARRIERE SHR | S4322700 | X | X | X | X | X | X | X | X |
| 135 | Control tower voor kpl. SHR | BOITIER DE COMMANDE AVANT CPL SHR | S4322600 | X | X | X | X | X | X | X | X |
| 136 | Sluiting contr.t.-lucht. SHR | FERMOIR BOITIER COMM-BOITE A AIR-HR | S4323200 | X | X | X | X | X | X | X | X |
| 137 | Sluiting contr.t. SHR | FERMOIR BOITIER DE COMM. S-HR | S4323100 | X | X | X | X | X | X | X | X |
| 138 | Kap ct onder SHR | COUV.VOITIER DE COMM. INFER. S-HR | S4323000 | X | X | X | X | X | X | X | X |
| 139 | Kap ct midden SHR | COUV.BOITIER DE COMM.MILIEU SHR | S4322900 | X | X | X | X | X | X | X | X |
| 140 | Kap ct boven dicht SHR | COUV.SUP FERME BOITIER DE COMM.S-HR | S4322800 | X | X | X | X | X | X | X | X |



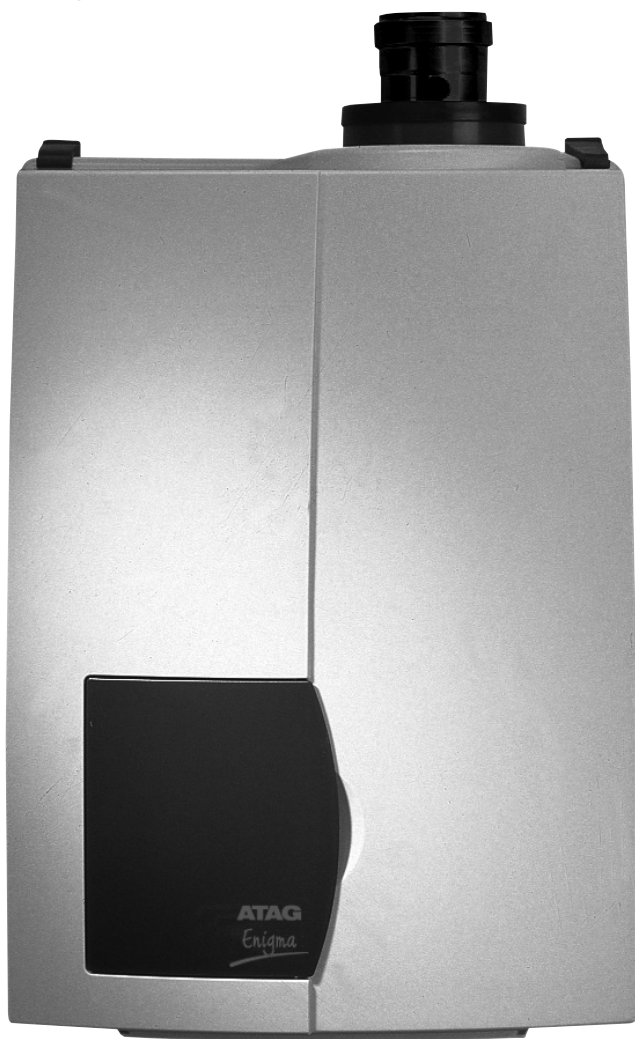
| Pos. Omschrijving | Description | Art.nr. | Blauwe Engel HR5000 | | | | | | | |
|-------------------------------------|---|----------|---------------------|--------------------|--------------------|--------------------|--------------------|--------------------|--------------------|--------------------|
| | | | Compact | | | Solo | | | | |
| | | | HR5033 TA3BA10B | HR5055 TA5BB10B | HR5077 TA7BB10B | HR5002 SA2BA10B | HR5003 SA3BA10B | HR5005 SA5BB10B | HR5007 SA7BB10B | HR5008 SA8BB10B |
| No. d'article de chaudière | Type Art.nr. ketel | | | | | | | | | |
| 200 Boiler insp.tot 35kW | BOILER 14L 35KW S-HR | S4307010 | X | X | | | | | | |
| Boiler insp.tot 51kW | BOILER 13L 51KW S-HR | S4310410 | | | X | | | | | |
| 201 Inlaatcombinatie SHR24t-51t | GROUPE DE SÉCURITÉ COMPL.SHR24T-51T | S4302220 | X | X | X | | | | | |
| 202 Doseerventiel 6l/min zwart | VANNE DE DOSAGE 6,0 L/MIN NOIR | S4169500 | X | | | | | | | |
| Doseerventiel 8-8.5 l/min wit | VANNE DOSAGE 8,5 L/MIN BLANC SHR | S4262700 | | X | | | | | | |
| Doseerventiel 12.5 l/min roze | VANNE DE DOSAGE 12,5 L/MIN ROSE | S4264600 | | | X | | | | | |
| 203 Leiding ø15 koud | CONDUITE Ø15 EAU FROIDE SHRT | S4312600 | X | X | X | | | | | |
| 204 Leiding overstort inl.comb.SHR | CONDUITE VANNE DE SÉCURITÉ SHR/Q | S4338700 | X | X | X | | | | | |
| 205 Kniekoppeling 15 x 15 knel | RACCORD GENOU A COMPR.15 X 15 | S4178600 | X | X | X | | | | | |
| 206 Leiding 15 koud inl.comb/T-stuk | CONDUITE ø15 CHAUDE COMB. ALIM./PIECE T | | X | X | X | | | | | |
| 207 Leiding ø15 warm mengvent. SHR | CONDUITE ø15 CHAUDE VANNE MELANGEUSE | | X | X | X | | | | | |
| 208 Kruisstuk 15 mm knel | PIECE X 15MM BICON | | X | X | X | | | | | |
| 209 Leiding ø15 koud mengvent. SHR | CONDUITE VANNE MELANG.EAU FR.Ø15SHR | S4312700 | X | X | X | | | | | |
| 210 Therm.mengvent. Ø15 knel | VANNE MELANGEUSE THERMOST.Ø15 COMP | S4312500 | X | X | X | | | | | |
| 211 Leiding ø15 mix SHR | CONDUITE Ø15 MELANGEUSE SHR | S4312900 | X | X | X | | | | | |
| 212 Knelring ø15 messing | ANNEAU DE SERRAGE Ø15 LAITON | S4237500 | X | X | X | | | | | |
| 213 Wartel 1/2" g knel 15 | EMERILLON 1/2"G BICON 15 | | X | X | X | | | | | |
| 214 Bevestigingsband boiler/expvat | BANDE DE FIXATION BOILER/VASE EXP | S4307300 | X | X | X | | | | | |
| Koppelingset boiler combi | KIT DE RACCORDEMENT BOILER | S4272100 | X | X | X | | | | | |

ATAG

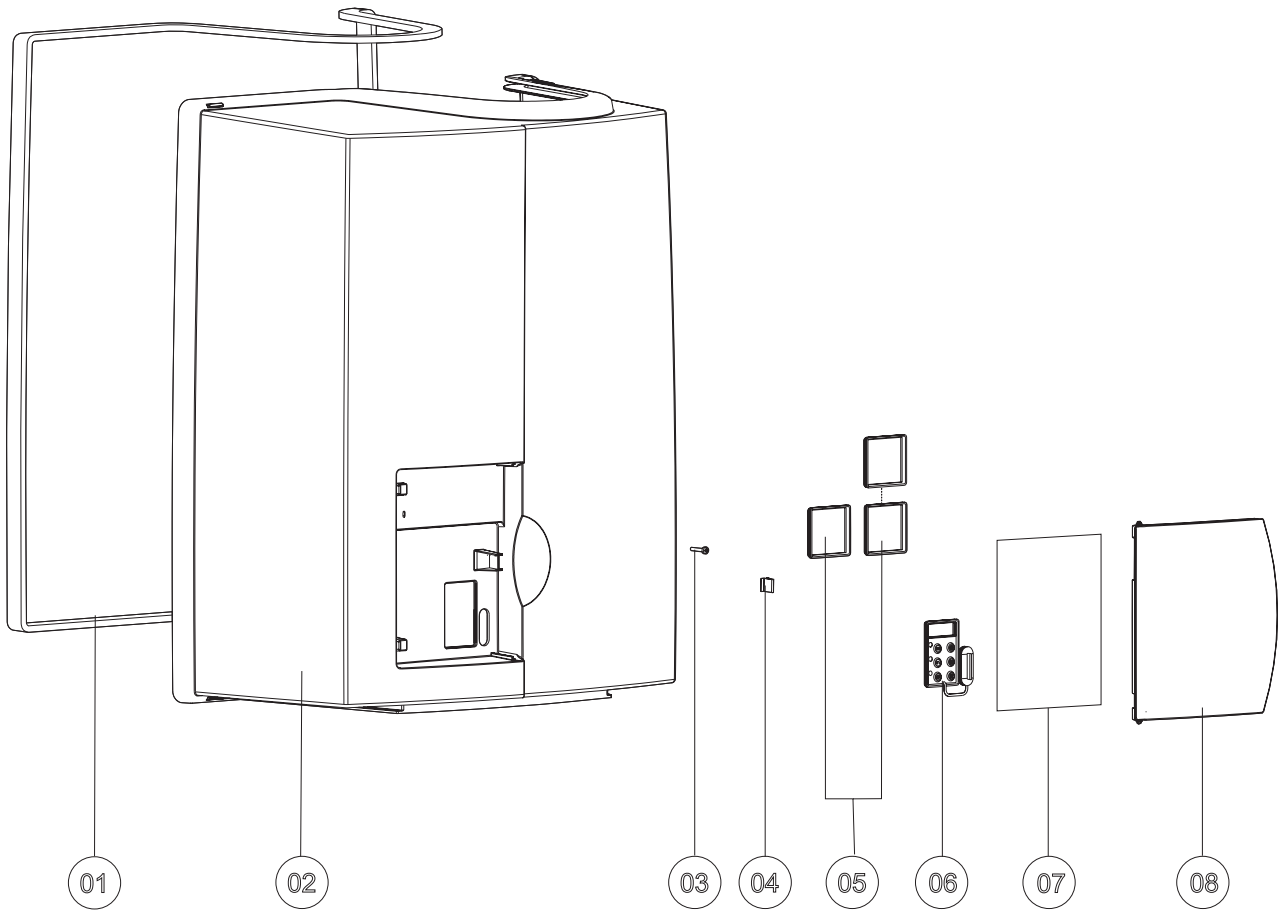
Enigma

ATAG

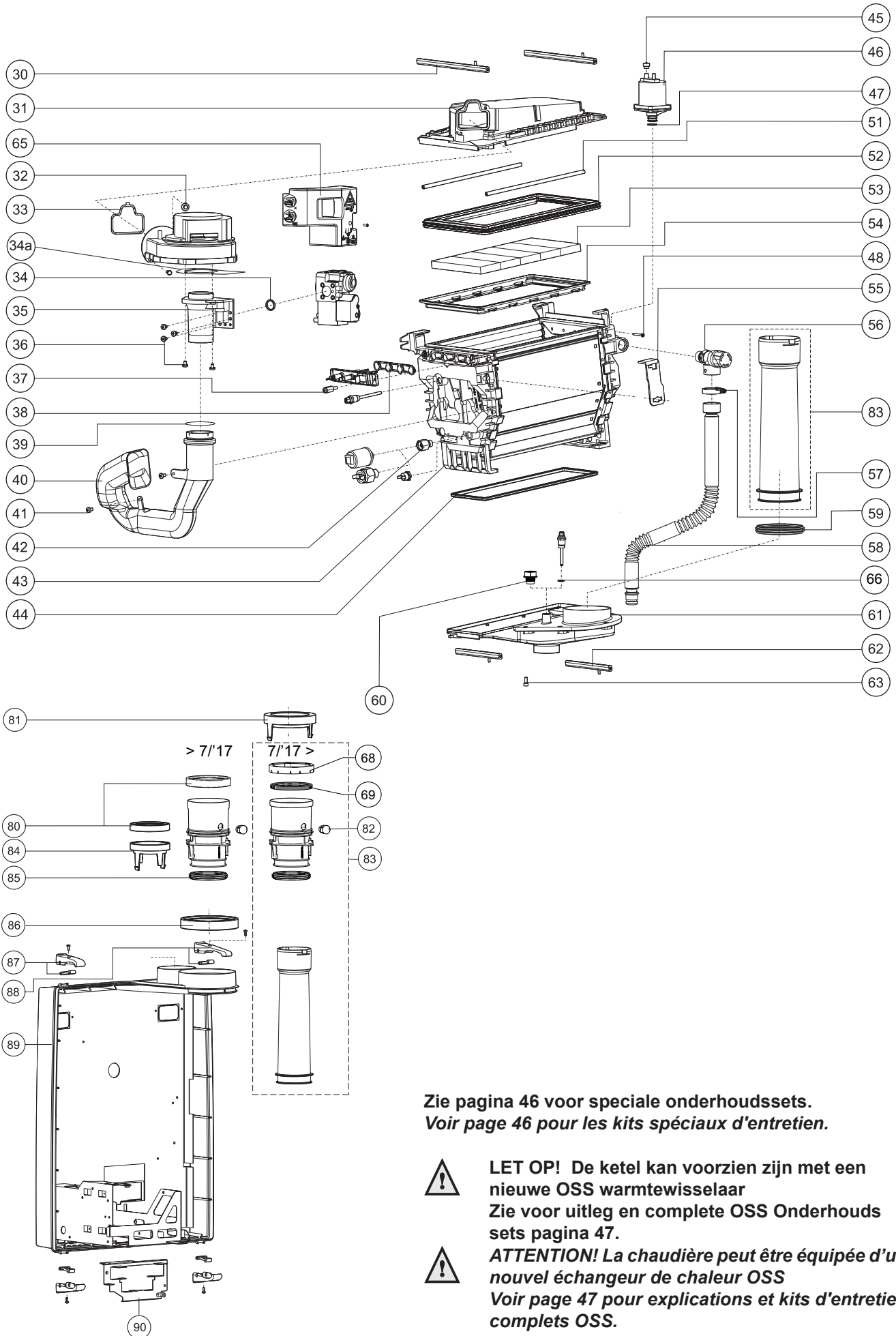
Eco



- Enigma HR3033
- Enigma HR3035
- Eco P 24C
- Eco P 24/32C



| Pos. | Omschrijving | Description | Art.nr. | Enigma HR3000 | | Eco P | |
|-----------------------------------|---------------------------------|-----------------------------|----------------------|---------------|----------|-------|--------|
| | | | | 3033 | 3035 | 24C | 24/32C |
| <i>No. d'article de chaudière</i> | | | <i>Type</i> | TC3BC00B | TC4CC00B | | |
| | | | <i>Art.nr. ketel</i> | | | | |
| 1 | Afdichting mantel PF/E-SHR | JOINT HABILLAGE PF/ESHR | S4479500 | X | X | X | X |
| 2 | Mantel sam. PF/E-SHR incl. afd. | KIT HABILLAGE PF/ESHR | S4479300 | X | X | X | X |
| 3 | Schroef mantel M5X20 | VIS HABILLAGE M5X20 | | X | X | X | X |
| 4 | Klemveer deur mantel PF/E-SHR | LOQUET PORTE PF/ESHR | S4479400 | X | X | X | X |
| 5 | Blindkap mantel PF/E-SHR | COUVERCLE BORGNE PF/E-SHR | | 2X | 2X | 2X | 2X |
| 6 | Afdichting bedien. Paneel E-SHR | JOINT PANNEAU COMMANDE ESHR | S4479100 | X | X | X | X |
| 7 | Gebruikshandleiding Enigma | MODE D'EMPLOI SERIE Enigma | 8H5221xx | X | X | | |
| | Gebruikshandleiding Eco | MODE D'EMPLOI SERIE Eco | 8H5222xx | | | X | X |
| 8 | Deur mantel E-SHR | PORTE ESHR | S4477600 | X | X | | |
| | Deur mantel Eco | PORTE Eco | | | | X | X |



Zie pagina 46 voor speciale onderhoudssets.
 Voir page 46 pour les kits spéciaux d'entretien.

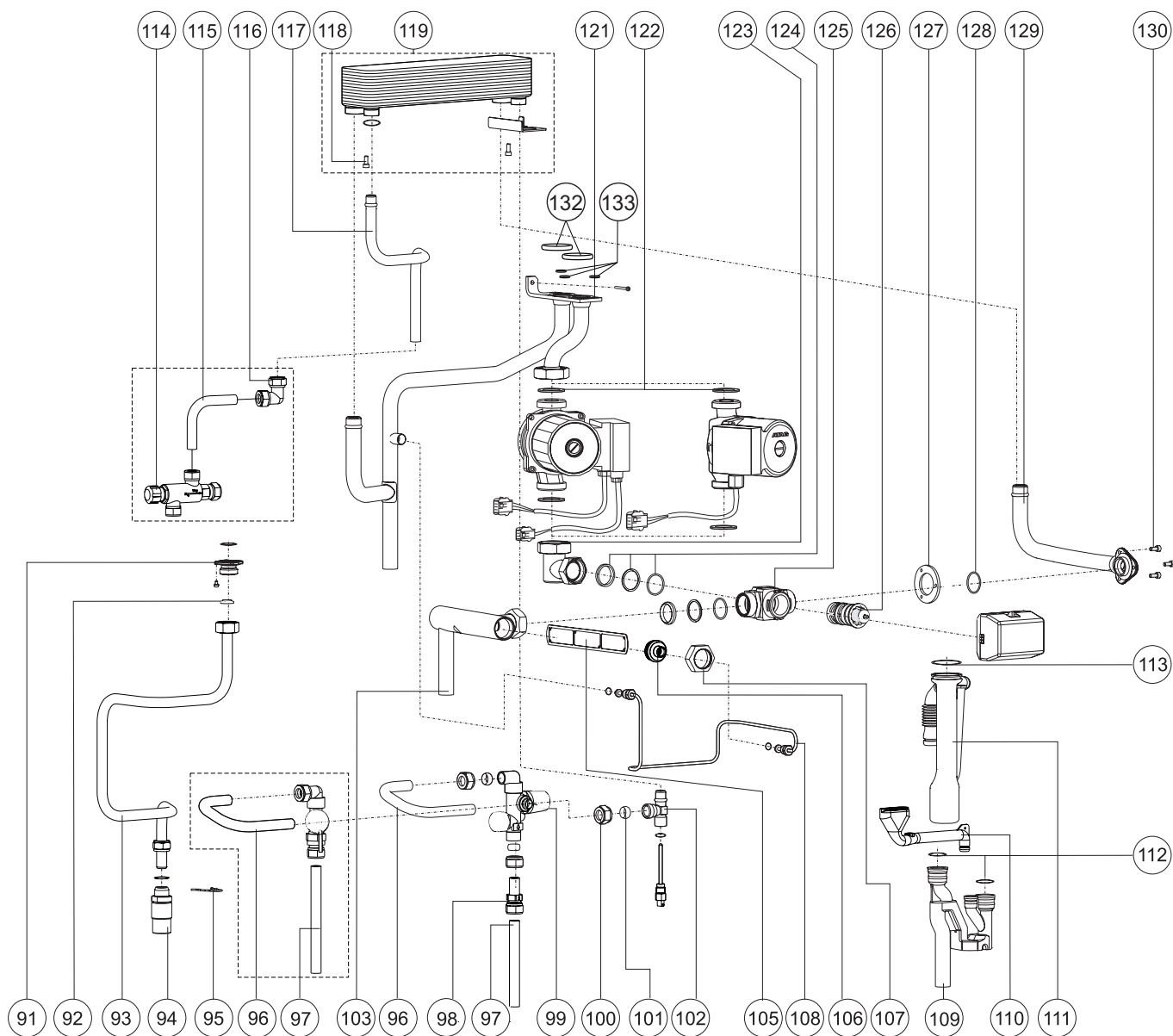


LET OP! De ketel kan voorzien zijn met een nieuwe OSS warmtewisselaar
 Zie voor uitleg en complete OSS Onderhouds sets pagina 47.

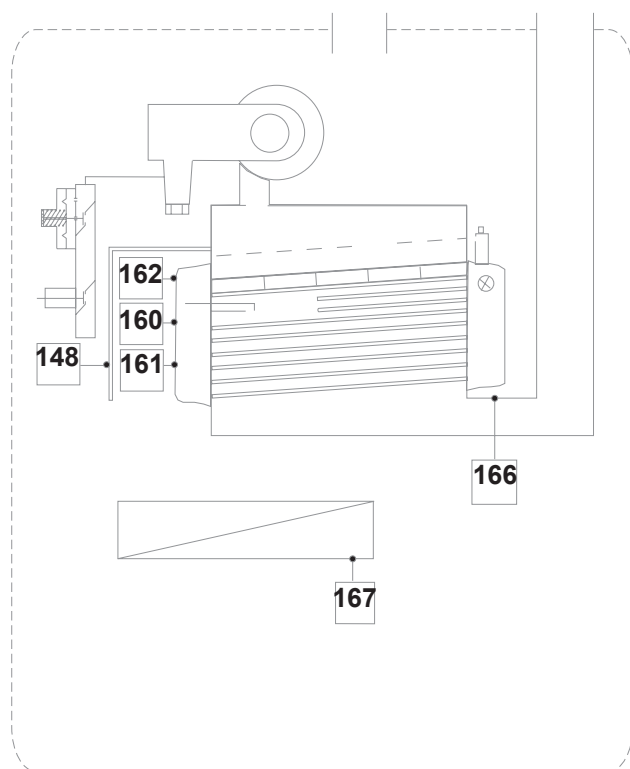


ATTENTION! La chaudière peut être équipée d'un nouvel échangeur de chaleur OSS
 Voir page 47 pour explications et kits d'entretien complets OSS.

| Pos. | Omschrijving | Description | Art.nr. | Enigma HR3000 | | Eco P | |
|------|------------------------------------|-------------------------------------|----------|---------------|------|-------|-----|
| | | | | Type | 3033 | 3035 | 24C |
| 30 | Klemstang bovenbak lang SHR | BARRE DE SERR. LONGUE TETE MEL. SHR | S4310800 | X | X | X | X |
| 31 | Bovenbak sam. SHR15/24 1:6 | TETE MELANGEUSE ECHANG.SHR15/24 1:6 | S4436110 | X | | X | |
| | Bovenbak sam. SHR35 | TETE MELANGEUSE ECHANGEUR SHR35 | S4371110 | | X | | X |
| 32 | 5x bout m 5x16 din933.8.8 | BOULON M 5X16 (5X) | | X | X | X | X |
| 33 | Afdichting vent./bovenbak SHR | JOINT VENTILATEUR/TETE MELANG. SHR | S4305700 | X | X | X | X |
| 34 | Afdichting gasblok-venturi SHR | JOINT D'ETANCHIETE BLOC GAZ-VENTURI | S4337610 | X | X | X | X |
| 34a | Afdichting venturi-ventilator SHR | JOINT VENTURI-VENTILATEUR SHR | S4325610 | X | X | X | X |
| 35 | Venturi SHR24 | VENTURI SHR24 | S4318810 | X | | X | |
| | Venturi SHR35 | VENTURI SHR35 | S4318920 | | X | | X |
| 36 | Bout m 5x12 gr fase zs din798 5 x | BOULON M 5X12GR FASE ZSDIN7985 5X | S4418710 | X | X | X | X |
| 37 | Bout m 6x30 ck-pz din 84/4.8 3x | BOULON M 6X30 (3X) | S4356300 | X | X | X | X |
| | Moer m 6x18 3x | ÉCROU M 6X18 (3X) | S4356400 | X | X | X | X |
| 38 | Afdichting ion/ontst. set SHR | KIT JOINT ETANCHIET IONIS/ALLUM.SHR | S4397100 | X | X | X | X |
| 39 | Afdichting aanzuigst-vent.SHR | JOINT D'ETANCHEITE ASP.AIR-VENT.SHR | S4309500 | X | X | X | X |
| 40 | Aanzuigstuk E/PF/SHR15/24 | ASPIRATINON AIR E/PF/SHR15/24 | S4347510 | X | | X | |
| | Aanzuigstuk e/SHR 32/35 | ASPIRATION AIR E/SHR 32/35 | S4325510 | | X | | X |
| 41 | Schroef tapite m5x 8 ck-pd 3x | VIS M5 X 8 3X | S4167500 | X | X | X | X |
| 42 | Waterslot druksensor SHR | CHAMBRE EQ. SONDE PRESS.D'EAU SHR | S4325900 | X | X | X | X |
| 43 | Wisselaar SHR15/24 | ECHANGEUR DE CHALEUR SHR15/24 | | X | | X | |
| | Wisselaar SHR 35 | ECHANGEUR DE CHALEUR SHR35 | | | X | | X |
| | Kogelkopsleutel | TOURNEVIS ALLEN LONGE ECH. | S4363700 | X | X | X | X |
| | Anti Condensbussen kijkglas SHR 3x | ANTI CONDENSATION REGARD SHR3X | S4344200 | X | X | X | X |
| 44 | Afd. Wiss./condensb.SHR15/24 | JOINT ECHANG./BAC CONDENS. SHR15/24 | S4306300 | X | | X | |
| | Afd. Wiss./condensb.SHR35 | JOINT ECHANG./BAC CONDENSAT SHR35 | S4306400 | | X | | X |
| 45 | Dop ontluchter SHR 3x | CAP PURGEUR CALEFFI 3X | S4380600 | X | X | X | X |
| 46 | Ontluchter E/PF/SHR chroom | PURGEUR E/PF/SHR CHROME | S4419110 | X | X | X | X |
| 47 | O-ring ø13,94x2,62 ontl.SHR 2x | O-RING Ø 13.94X2.62 PURGEUR SHR | S4342300 | X | X | X | X |
| 48 | Bout m 3x30 verz.din84/4.8 3x | BOULON M 3X30 (3X) | S4345900 | X | X | X | X |
| 49 | Revisieset isolatieplaten SHR | KIT PLAQUES ISOLATION SHR | S4500010 | X | X | X | X |
| 51 | Slang siliconen l=14cm | TUYAU SILICONE L=14CM | S4440200 | X | | X | |
| | Slang siliconen l=25cm | TUYAU SILICONE L=25CM | S4440300 | | X | | X |
| 52 | Afdichting branderbed SHR15/24 | JOINT BRULEUR SHR15/24 | S4305910 | X | | X | |
| | Afdichting branderbed SHR35 | JOINT BRULEUR SHR35 | S4306000 | | X | | X |
| | Fiberfrax 165x 8x3 2x | FIBERFRAX 165X 8X3 2 X | S4335300 | X | X | X | X |
| 53 | Branderbed SHR 15/24kW | BRÛLEUR S-HR 15/24 | S4330130 | X | | X | |
| | Branderbed S-HR 35/35t | BRÛLEUR S-HR 35 | S4523920 | | X | | X |
| 54 | Opsluitlyst brander SHR15/24 | CADRE BRULEUR SHR15/24 | S4304310 | X | | X | |
| | Opsluitlyst brander SHR35 | CADRE BRULEUR SHR35 | S4304410 | | X | | X |
| 55 | Bevestigingshaak bovenbak | FIXATION TETE MELANGEUSE | S4308500 | X | X | X | X |
| 56 | Overstort 3 bar PF/E/SHR | VANNE DE SÉCURITÉ 3 BAR PF/E/SHR | S4344630 | X | X | X | X |
| 57 | Slangklem 20-32 mm RVS | COLLIER SERRAGE TUYAU 20-32MM INOX | S4395600 | X | X | X | X |
| 58 | Leiding overstort PF/E-SHR | CONDUITE VANNE DE SECURITE PF/ESHR | S4421400 | X | X | X | X |
| | O-ring ø18,72x2,62 EPDM 3x | O-RING Ø 18.72X2.62 (3X) | S4443200 | X | X | X | X |
| 59 | Lip-ring ø63 amgas | JOINT A LEVRE Ø 63 AMGAS | S4307900 | X | | X | |
| | Lip-ring ø80 amgas | JOINT A LEVRE Ø 80 AMGAS | S4304200 | | X | | X |
| 60 | Stop 1/4" | BOUCHON 1/4" | S4674500 | X | X | X | X |
| 61 | Condensbak SHR15/24 | BAC CONDENSATS SHR15/24 | S4406920 | X | | X | |
| | Condensbak SHR35 | BAC CONDENSATS SHR35 | S4407020 | | X | | X |
| 62 | Klemstang condensb PF/E/SHR | BARRE DE SERR. BAC CONDENS.PF/E/SHR | S4310700 | X | X | X | X |
| 63 | Bout m 5x12 imbus verz. 3x | BOULON M 5X12 ALLEN 3X | S4440000 | X | X | X | X |
| 65 | Gasblok afdekkap | CACHE BLOC GAZ | S4558000 | X | | X | |
| 66 | O-ring ø5x2 | O-RING Ø 5.00X2.00 SONDE DEPART 5X | S4329400 | | | | |
| | Vanaf 7"/17: | À partir de 7"/17: | | | | | |
| 68 | Klemring uitlaatstomp Ø80 | Fixation joint d' évacuation | S4905800 | X | X | X | X |
| 69 | Afdichting rookgasafvoer Ø 80 (3X) | Joint d' évacuation 3X | S4816700 | X | X | X | X |
| 80 | Afdichting luchttoev. ø 80 SHR | JOINT ASPIRATION AIR Ø 80 SHR | S4323510 | X | X | X | X |
| 81 | Deksel luchttoevoer ø 120/80 | COUVERCLE ASPIR. AIR CONC. 120/80 | S4323410 | X | X | X | X |
| 82 | Tule + stop uitlaatstomp | TULLE + BOUCHON EVACUATION EPDM | S4521600 | X | X | X | X |
| 83 | Rookg.afv.pp sam.15-24 mr | EVACUAT.FUMEES PP SHR/E/PF 15-24 MR | S4499400 | X | | X | |
| | Rookg.afv. pp. sam. 35 zr | EVACUAT.FUMEES PP SHR/E/PF 35KW ZR | S4500500 | | X | | X |
| 84 | Deksel luchttoev. 80 SHR | COUVERCLE ASPIR AIR Ø80 SHR | S4323310 | X | X | X | X |
| 85 | Afdichting uitlaattyp pp SHR | JOINT ETANCHEITE EVAC.FUMÉES PP SHR | S4472600 | X | X | X | X |
| 86 | Afdichting luchttoevoer ø120 SHR | JOINT ASPIRATION AIR Ø120 | S4323710 | X | X | X | X |
| 87 | Sluiting klein PF/E-SHR | FERMOIR PETIT PF/ESHR | S4415220 | X | X | X | X |
| 88 | Sluiting groot PF/E-SHR | FERMOIR GRAND PF/ESHR | S4415120 | X | X | X | X |
| 89 | Achterwand PF/E-SHR | PARTIE ARRIÈRE PF/E-SHR | | X | X | X | X |
| | Ophangbeugel SHR15/24/35 | SUPPORT PF/E-SHR15/24/35 | S4341610 | X | X | X | X |
| 90 | Beugel aansluitblok | SUPPORT BORNIER DE CONNECTION | | X | X | X | X |

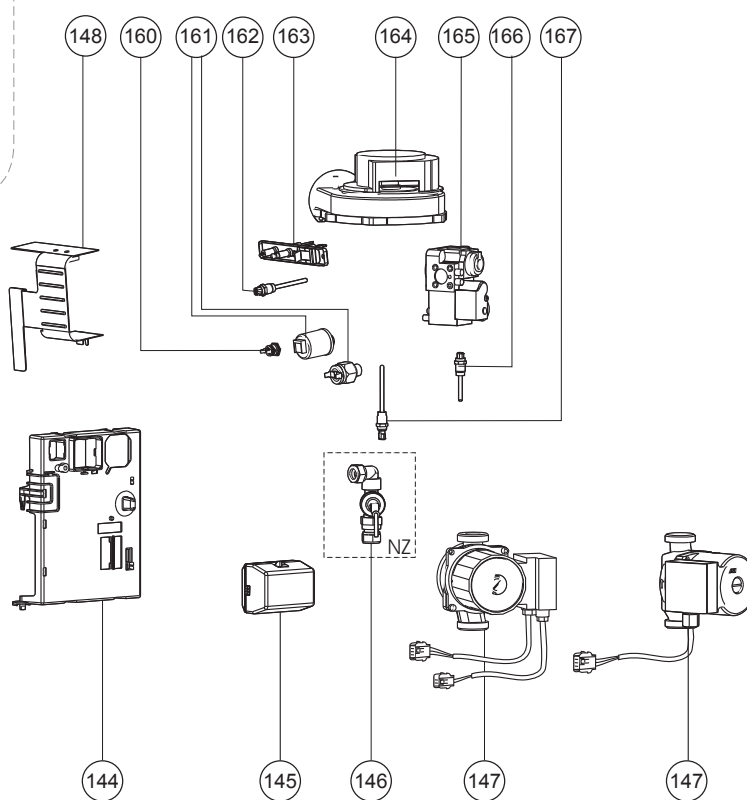


| Pos. | Omschrijving | Description | Art.nr. | Enigma HR3000 | | Eco P | |
|------|------------------------------------|---------------------------------------|----------|---------------|------|-------|-----|
| | | | | Type | 3033 | 3035 | 24C |
| 91 | Koppeling regelblok 3/4"SHR | KIT RACCORDEMENT BLOC GAZ PF/E/SHR | S4340900 | X | X | X | X |
| | 3x O-ring ø21,89x2,62 gasleiding | O-RING Ø21.89X2.62 CONDUITE GAZ 3X | S4334500 | X | X | X | X |
| 92 | Afdichting kopp.3/4"gasbl.SHR | JOINT RACCORD 3/4" BLOC GAZ SHR | S4340830 | X | X | X | X |
| 93 | Gasleiding PF/E-SHR 15/24 | CONDUITE GAZ PF/ESHR24 | S4321900 | X | | X | |
| | Gasleiding PF/E-SHR35 | CONDUITE GAZ CPL. PF/ESHR35 | S4333800 | | X | | X |
| 94 | Pijpnippel gasleid. 1/2" bi+O-ring | MAMELON 1/2" AVEC O-RING SHR | S4493300 | X | X | X | X |
| | O-ring ø13,94x2,62 geel silic. | O-RING Ø 13.94X2.62 JAUNE | S4328710 | X | X | X | X |
| 95 | Borgveer gasleiding PF/E-SHR | CLIP DE SÉCURITÉ CONDUITE DE GAZ | | X | X | X | X |
| 96 | Leiding ø15 incl.c.-plw PF/E-SHR | CONDUITE Ø15 ARM.ALL-ECH.PL PF/ESHR | | X | X | X | X |
| 97 | Leiding ing. Ø15 koud PF/E-SHR | CONDUITE D'ENTRÉE EAU FROID Ø15 PF/ES | S4401500 | X | X | X | X |
| 98 | Doseerventiel 6l/min zwart | VANNE DE DOSAGE 6,0 L/MIN NOIR | S4169500 | X | | X | |
| | Doseerventiel 8-8.5 l/min wit | VANNE DOSAGE 8,5 L/MIN BLANC SHR | S4262700 | | X | | X |
| 99 | Inlaatcombinatie PF/E-SHR | GROUPE DE SÉCURITÉ COMPLET PF/E-SHR | S4537400 | X | X | X | X |
| 100 | Wartel 1/2"g knel 15 | EMERILLON 1/2"G BICON 15 | | X | X | X | X |
| 101 | Knelring ø15 messing | ANNEAU DE SERRAGE Ø15 LAITON | S4237500 | X | X | X | X |
| 102 | T-stuk ntc3 PF/E-SHR | TÉ POUR SONDE NTC3 PF/ESHR | S4402400 | X | X | X | X |
| | O-ring ø5,0x2,0aanv.sens.SHR 5x | O-RING Ø 5.00X2.00 SONDE DEPART 5X | S4329400 | X | X | X | X |
| 103 | Leiding ret-dwk filt PF/E-SHR | CONDUITE RET-V3V FILT PF/ESHR | S4402301 | X | X | X | X |
| | Vul- en aftapkraan | VANNE DE REMPLISSAGE/VIDANGE | S1002200 | X | X | X | X |
| 105 | Filter retourleiding SHR | FILTRE CONDUITE RETOUR SHR | S4317500 | X | X | X | X |
| 106 | Afsluitpl. Filter/kortsl. PF/E-SHR | CACHE FILTRE/COURT CIRCUIT.PF/ESHR | S4454900 | X | X | X | X |
| | O-ring ø25,07 x 2,62 dwk | O-RING Ø25.07 X 2.62 | S4158300 | X | X | X | X |
| 107 | Wartel m35 30ø | EMERILLON M35 30° BISEAUTE | S4259500 | X | X | X | X |
| 108 | Kortsluitleiding compleet E-SHR | KIT CONDUITE COURT CIRCUIT ESHR | S4489800 | X | X | X | X |
| | Kortsluitleiding set PFSHR | KIT CONDUIT COURT CIRCUIT PFSHR | S4478600 | | | | |
| | O-ring ø5,0x2,0 aanv.sens. SHR5x | O-RING Ø 5.00X2.00 SONDE DEPART 5X | S4329400 | X | X | X | X |
| 109 | Condensverzamelstuk PF/E-SHR | COLLECTEUR DE CONDENSATS PF/ESHR | S4421300 | X | X | X | X |
| 110 | Afvoerl. inlaatcomb. PF/E-SHR | CONDUITE VANNE DE ARM.ALIM. PF/ESHR | | X | X | X | X |
| | O-ring ø12,42x1,78sif.PF/E-SHR3x | O-RING Ø 12.42X1.78 | S4342400 | X | X | X | X |
| 111 | Sifon PF/E-SHR | SIPHON PF/ESHR | S4421200 | X | X | X | X |
| 112 | O-ring ø40x3,53 sif.condensb.SHR | O-RING Ø 40.00X3.50 BAC CONDENS.SHR | S4309900 | X | X | X | X |
| 113 | O-ring ø18,72x2,62 EPDM 3x | O-RING Ø 18.72X2.62 (3X) | S4443200 | X | X | X | X |
| 114 | Therm.mengvent. Ø15 knel | VANNE MELANGEUSE THERMOST.Ø15 COM | S4312500 | | | | |
| 115 | Warmwaterleiding PF/E-SHR NZ | CONDUITE EAU CHAUDE PF/E-SHR nz | | | | | |
| 116 | Kniekoppeling 15 x 15 knel | RACCORD GENOU A COMPR.15 X 15 | S4178600 | | | | |
| 117 | Leiding ø15 warm PF/E-SHR | CONDUITE ø15 EAU CHAUDE PF/E-SHR | | X | X | X | X |
| 118 | Bout m 5x12 imbus verz. 3x | BOULON M 5X12 ALLEN 3X | S4440000 | X | X | X | X |
| 119 | Platenwisselaar 24kw PF/E-SHR | ECHANGEUR E.C.S. 24KW PF/ESHR | S4462400 | X | | X | |
| | Platenwisselaar 35kw PF/E-SHR | ECHANGEUR A PLAQUES 35KW PF/ESHR | S4722600 | | X | | X |
| | O-ring ø13,94x2,62 ontl.SHR 2x | O-RING Ø 13.94X2.62 PURGEUR SHR | S4342300 | X | X | X | X |
| | O-ring ø21,89x2,62 EPDM 2x | O-RING Ø 21.89X2.62 (2X) | S4360500 | X | X | X | X |
| 121 | Leiding aanv.plw-cv PF/E-SHR24T | CONDUIT DEPART.ECH.PL-CC PF/ESHR24T | S4401201 | X | | X | |
| 121 | Leid.Aanv.plw-cvPF/E-SHR32/35T | CONDUITE ECH.PL-CC PF/ESHR32/35T | S4401301 | | X | | X |
| | Bout m6x20 rvs(a2)imb. Bp.4,2 3x | BOULON M 6X20 RVS ALLEN BP4,2 3X | S4307220 | 3X | 3X | 3X | 3X |
| | O-ring ø4,8x1,8 borg.ww SHR 3x | O-RING Ø 4.76X1.78 SEC.ECH SHR(3X) | S4322320 | 3X | 3X | 3X | 3X |
| 122 | Pomppakking 2x | JOINT DE POMPE (2X) | S1003810 | 2X | 2X | 2X | 2X |
| 123 | Leiding dwk-pomp PF/E-SHR | CONDUITE V3V-POMPE PF/ESHR | S4436700 | X | X | X | X |
| 124 | Koppelingset driewegklep | KIT DE CONNEXION VANNE 3 VOIES | S4272100 | X | X | X | X |
| | - 3x steuring driewegklep | - 3X RING SUPPORT VANNE 3 VOIES | | | | | |
| | - 3x o-ring 25x2,62 | - 3X O-RING 25x2,62 | | | | | |
| | Wartel m35 30ø | EMERILLON M35 30° BISEAUTE | S4259500 | 3X | 3X | 3X | 3X |
| | O-ring ø26,70x 1,78 3x | O-RING Ø 26.70X1.78 BOILER (3X) | S4259800 | 3X | 3X | 3X | 3X |
| 125 | Driewegklep huis VC O-ring | VANNE 3 VOIES CORPS VC O-RING | S4308200 | X | X | X | X |
| 126 | Cartridge vc-driewegklep | CARTOUCHE VC-VANNE 3 VOIES | S4268400 | X | X | X | X |
| 127 | Flensplaat dwk | BRIDE DE MONTAGE VANNE3V | S4371700 | X | X | X | X |
| 128 | O-ring ø26,70x 1,78 boiler | O-RING Ø 26.70X1.78 BOILER (3X) | S4259800 | X | X | X | X |
| 129 | Leiding plw-dwk PF/E-SHR | CONDUITE ECH.PL-3V3 PF/ESHR | S4401401 | X | X | X | X |
| 130 | Bout m 5x12 imbus verz. 3x | BOULON M 5X12 ALLEN 3X | S4440000 | X | X | X | X |
| 132 | O-ring ø29,74x3,53 aanv./ret. (2x) | O-RING Ø 29.74X3.53 DEPART/RET.(2X) | S4312300 | 2X | 2X | 2X | 2X |
| 133 | O-ring ø4,76x1,78 borg WW (3x) | O-RING Ø 4.76X1.78 SEC.ECH SHR(3X) | S4322320 | 3X | 3X | 3X | 3X |



- 152 T1 aanvoersensor
- 150 T2 retoursensor
- 158 T3 warmwatersensor
- 156 T5 rookgassensor
- 151 P1 waterdruksensor

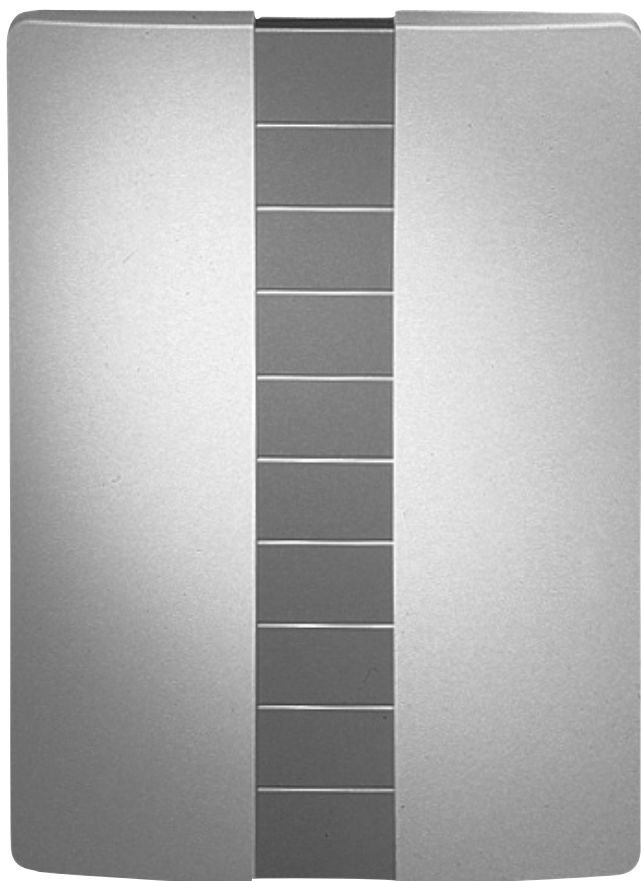
- sonde départ NTC12K
- sonde retour NTC12K
- sonde ECS NTC12k
- sonde fuméea
- sonde pression d'eau



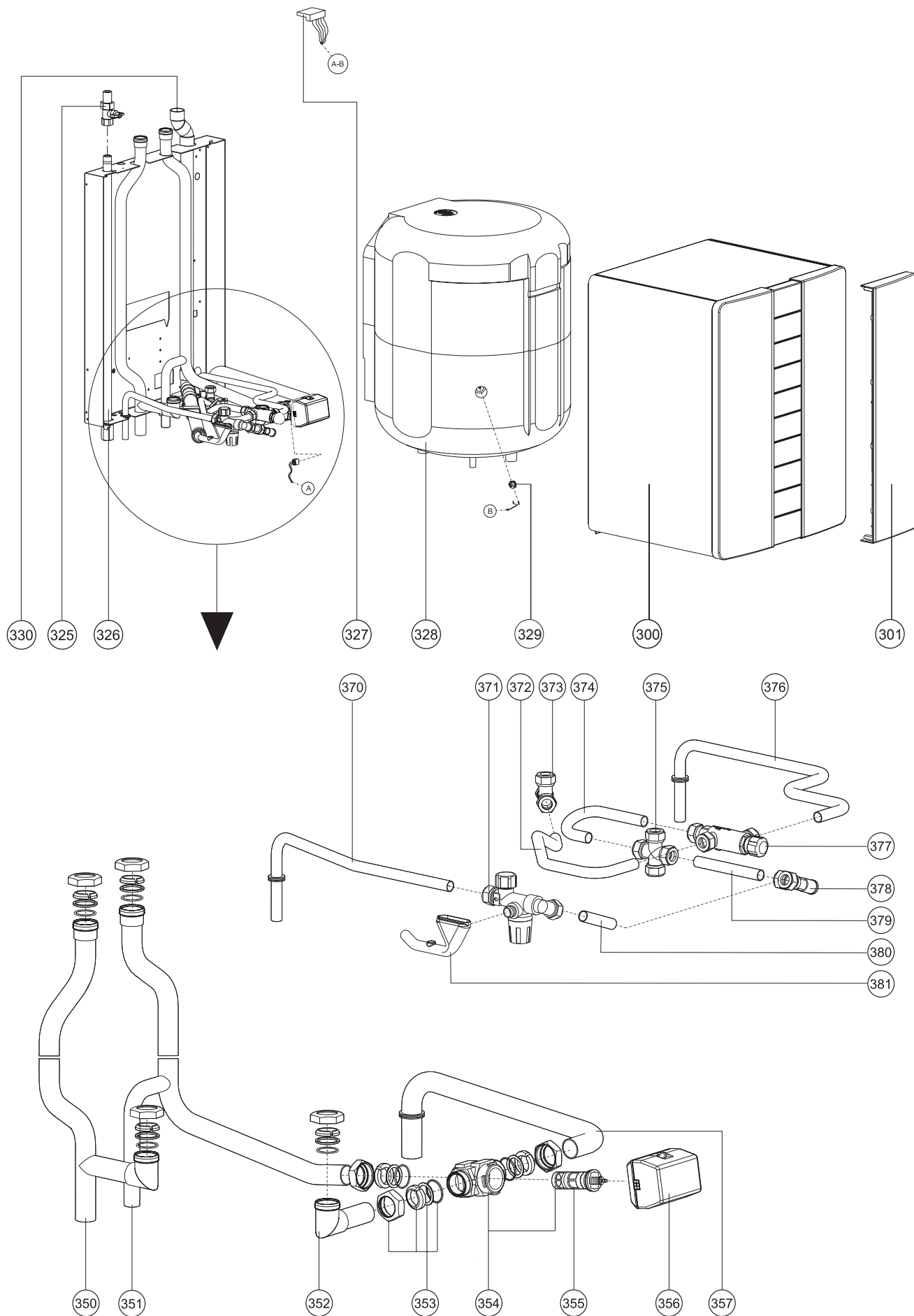
| Pos. | Omschrijving | Description | Art.nr. | Enigma HR3000 | | Eco P | |
|------|--|---|----------|---------------|------|-------|-----|
| | | | | Type | 3033 | 3035 | 24C |
| 140 | Kabelboom compleet Enigma | BORNIER COMPLET E-SHR | S4467210 | X | X | X | X |
| | Sticker aansluitblok Enigma | AUTOCOLLANT BORNIER DE CONNEXION | 8A352202 | X | X | X | X |
| | Aansluitnoer 230v E-SHR | CABLE DE RACCORDEMENT 230V E-SHR | | X | X | X | X |
| | Stekker 2-polig paars | CONNECTEUR 2-POLES VIOLET | S4320300 | X | X | X | X |
| | Stekker 2-polig wit | CONNECTEUR 2-POLES BLANC | S4320400 | X | X | X | X |
| | Stekker 2-polig zwart | CONNECTEUR 2-POLES NOIR | S4320500 | X | X | X | X |
| | Stekker 3-polig grijs | CONNECTEUR 3-POLES GRIS | S4380900 | X | X | X | X |
| | Stekker 3-polig geel | CONNECTEUR 3-POLES JAUNE | S4379500 | | | | |
| | Stekker 3-polig oranje | CONNECTEUR 3-POLES ORANGE | S4379600 | | | | |
| | Stekker 4-polig bruin | CONNECTEUR 4-POLES BRUN | S4320600 | X | X | X | X |
| | Anticipatieweerst. 220Ohm SHR | RESISTANCE D'ANTICIPATION 220OHM | S4325000 | X | X | X | X |
| 141 | Trafo 72 Va + zelftappers SHR | TRAFO 72 VA FAN 24V + VIS | S4324900 | X | X | X | X |
| | Bevestigingsschroef 3x | VIS AUTOTARAUEUS 3,5X 9,5 POINT 5X | S4370300 | X | X | X | X |
| 142 | Bedieningsunit achter PF/E-SHR | UNITE DE COMMANDE ARRIERE PF/ESHR | S4417100 | X | X | X | X |
| 143 | Stuurautomaat 5417 h1.1 E-SHR | UNITE DE COMMANDE 5417 H1.1 ESHR/E | S4736200 | X | X | X | X |
| | Zekering glas 100 mA250 3x | FUSIBLE VERRE 100 MA 250 3X | S4352800 | X | X | X | X |
| | Zekering glas 2,0 Af 250 3x | FUSIBLE VERRE 2,0 AF 250 3X | S4353000 | X | X | X | X |
| | Zekering glas 3,0 at 250 3x | FUSIBLE VERRE 3,0 AT 250 3X | S4352900 | X | X | X | X |
| | Zekering 4 At (250V) 3x | FUSIBLE VERRE 4 AT (250V)3X | S4463500 | X | X | X | X |
| 144 | Bedieningsunit voor PF/E-SHR | UNITE DE COMMANDE AVANT PF/ESHR | S4417000 | X | X | X | X |
| 145 | Driewegklep VC2010 cpl + motor SHR | VANNE 3 VOIES VC2010 CPL+MOTEUR SHR | S4381800 | X | X | X | X |
| | Driewegklep motor VC2010 SHR | MOTEUR VANNE 3 VOIES VC2010 SHR | S4334910 | X | X | X | X |
| | Kabelboom compleet E-SHR | BORNIER COMPLET E-SHR | S4467210 | X | X | X | X |
| 146 | Stromingsschakelaar 2,5L PF/ESHR | INTERRUPTEUR DEBIT 2,5L PF/ESHR | S4498900 | X | X | X | X |
| 147 | Pomp ups 20-50 | POMPE UPS 20-50 | S4298200 | X | | X | |
| | Pomp UP 20-60 | POMPE UP 20-60 | S4298100 | | X | | X |
| 148 | Luchtkasttemperatuurbeveiliging | SHT AVEC CACHE | S4552800 | X | X | X | X |
| 160 | NTC SHR/Boiler/ZGC T2/T3/T8/T9 | SONDE NTC SHR/ZGC T2/T3/T8/T9 | S4309700 | X | X | X | X |
| 161 | Waterdruksensor + waterslot | SONDE PRESSION D'EAU + CLAPET ANTI-RE | S4466300 | X | X | X | X |
| | Verloopkabel waterdruksensor Voor ketels van bouwjaar '96-'99 | CABLE ADAPTAT. SONDE PRESS EAU SHR POUR CHAUDIÈRES AVANT '96-'99 | S4435400 | X | X | X | X |
| 162 | NTC aanvoer T1/E-PF NTC T3 | SONDE DEPART T1 / E-PF NTC T3 | S4307420 | X | X | X | X |
| 163 | Elektrode ontst.+pakk. SHR | ELECTRODE ALLUM.-ION.+JOINT SHR | S4311600 | X | X | X | X |
| | Ontstekingskabel PF/E-SHR kpl. | CABLE D'ALLUMAGE PF/ESHR CPL. | S4440900 | X | X | X | X |
| 164 | Vent.motor 24v DC ged.15/24/35 | VENTILATEUR TYPE 24V DC 15/35 | S4442720 | X | X | X | X |
| 165 | Gasblok PF/E/SHR | BLOC GAZ HONEYWELL PF/E/SHR | S4304700 | X | X | X | X |
| 166 | NTC rookgas T5 + kabel SHR | SONDE NTC FUMÉES T5 + CABLE SHR | S4368200 | X | X | X | X |
| | NTC rookgas T5 SHR | SONDE NTC FUMÉES T5 SHR. | S4339510 | X | X | X | X |
| 167 | NTC aanvoer T1/E-PF NTC T3 | NTC DEPART T1 / E-PF NTC T3 | S4307420 | X | X | X | X |

ATAG

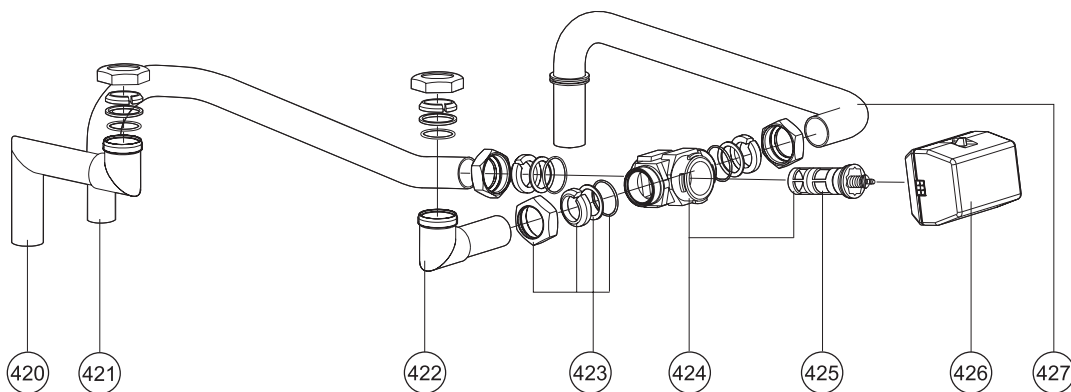
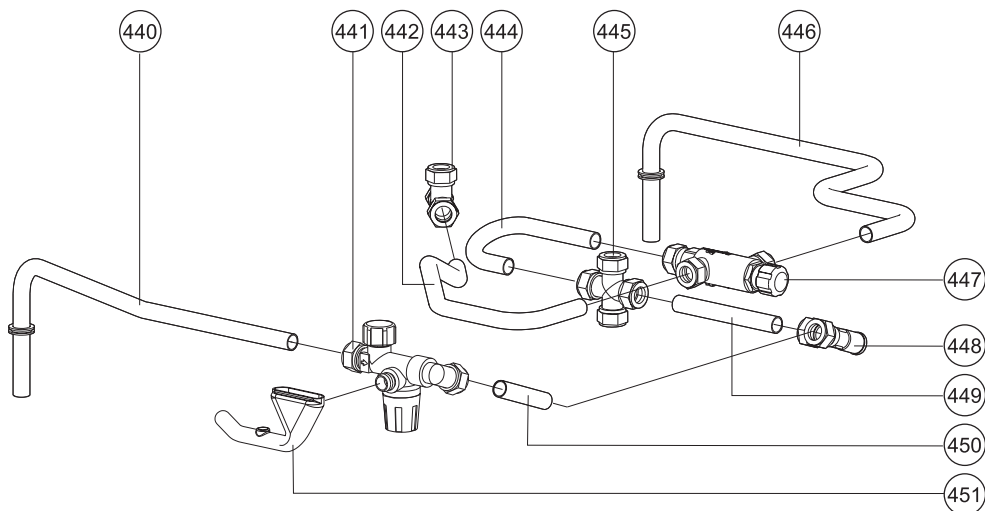
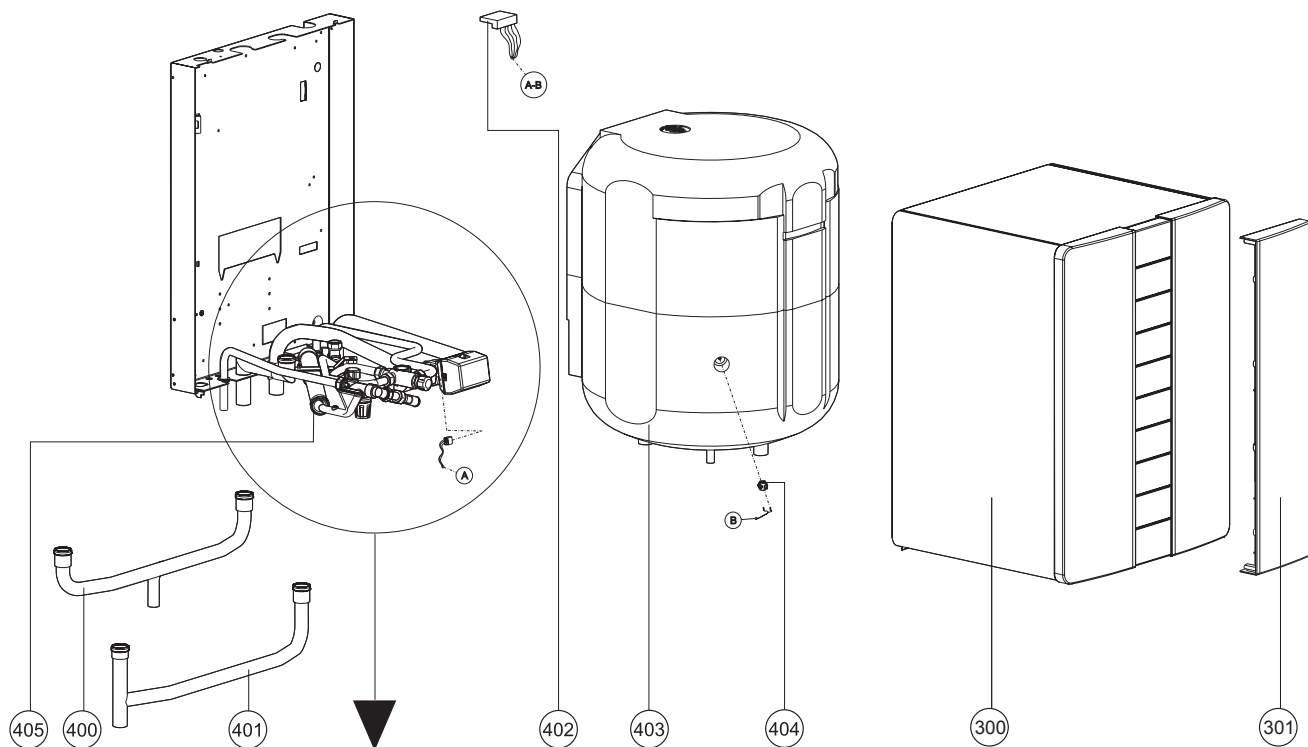
ComfortBoiler



- CBV 60
- CBV 110
- CBH 60
- CBH110



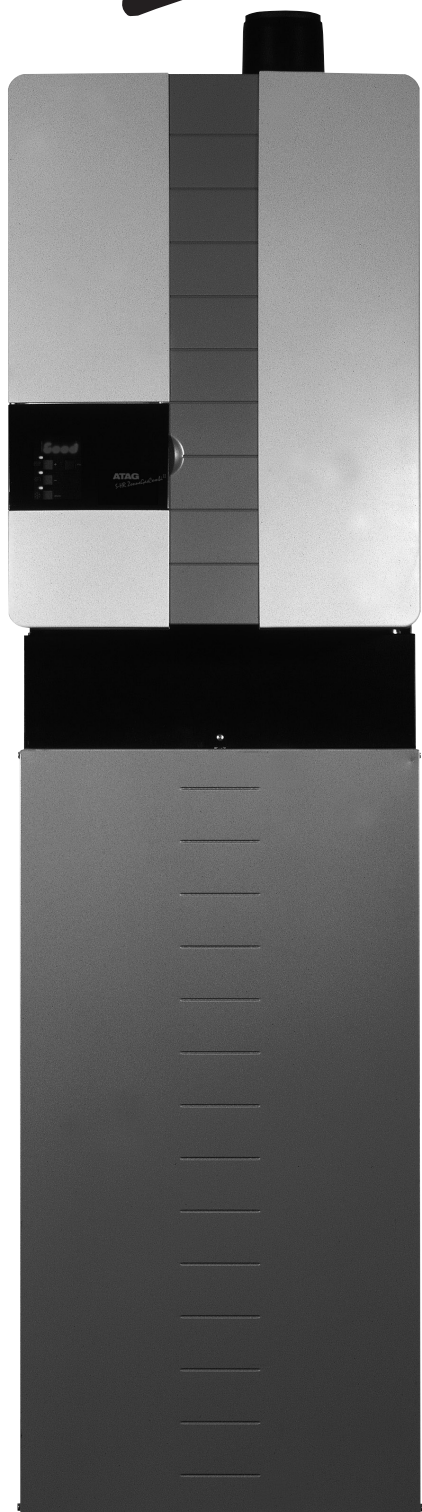
| Pos. | Omschrijving | Description | Art.nr. | ComfortBoiler | |
|------|-----------------------------------|---|----------|-----------------------|----------------------|
| | | | | 60 Liter CBV CBH | 110 Liter CBV CBH |
| | | | | Bouwjaar | 1996 - 2005 |
| | | | | Année de construction | |
| 300 | Mantel CBV/H | HABILLAGE CBV/H | | X | X |
| | Mantel CBV/H wit | HABILLAGE CBV/H BLANC | | | X |
| 301 | Paneel mantel kunststof | PANNEAUX PLASTIC | S4314700 | X | |
| 325 | Gas kogelkraan 1/2" BIX1/2" BU | VANNE GAZ 1/2"INTX1/2"EXT | | X | X |
| 326 | Gasleiding CBV 60 | CONDUITE GAZ CBV 60 | | X | |
| | Gasleiding CBV 110 | CONDUITE GAZ CBV 110 | | | X |
| 327 | Kabelboom CBV/H | BORNIER CBV/CBH | S4349910 | X | X |
| 328 | Boiler CB V60 | BOILER 60 LITRES VERTICAL CBV60 | | X | |
| | Boiler CB V110 | BOILER 110L VERTICAL CBV110 | | | X |
| | Inspectieluik moer CB | O-RING REGARD CBS/ZLB/60/110 | S4448700 | X | X |
| | Inspectieluik moer | ÉCROU DE REGARD | | X | X |
| | Inspectieluik. CBV/H/CBS/ENH | REGARD CPL. CVB/H/CBS/ENH | S4448900 | X | X |
| | Inspectieluik beugel | SUPPORT DE REGARD | S4449000 | X | X |
| 329 | NTC SHR/Boiler/ZGC T2/T3/T8/T9 | SONDE NTC SHR/ZGC T2/T3/T8/T9 | S4309700 | X | X |
| 330 | Condensafvoerleiding CBV 60 | CONDUIT CONDENSAT CBV60 | | X | |
| | Condensafvoerleiding CBV 110 | CONDUIT CONDENSAT CBV110 | | | X |
| 350 | Leiding boiler-CV-CBV60 | CONDUITE BOILER-CC-CBV60 | | X | |
| | Leiding boiler-CV CBV110 | CONDUITE BOILER-CC-CBV110 | | | X |
| 351 | Retourleid. toestel/ boilerCBV 60 | CONDUITE RETOUR CHAUDIÈRE/BOILER CBV60 | | X | |
| | Retourleid.toestel /boiler CBV110 | CONDUITE RETOUR CHAUDIÈRE/BOILER CBV110 | S4356210 | | X |
| 352 | Retourleiding DWK /boiler CBV/H | CONDUITE CONNEX BOILER-V3V BA1./BA3 | S4342800 | X | X |
| 353 | Koppelingset boiler combi | KIT DE RACCORDEMENT BOILER | S4272100 | X | X |
| | Wartel m35 30ø | EMERILLON M35 30° BISEUTE | S4259500 | X | X |
| | Klemring koppeling | RING DE COMPRESSION | | X | X |
| | Drukkring M35 30ø | RING DE PRESSION | S4272100 | X | X |
| | O-ring ø26,70x 1,78 boiler | O-RING Ø 26.70X1.78 BOILER (3X) | S4259800 | X | X |
| 354 | Driewegklep huis VC O-ring | VANNE 3 VOIES CORPS VC O-RING | S4308200 | X | X |
| 355 | Cartridge VC-driewegklep | CARTOUCHE VC-VANNE 3 VOIES | S4268400 | X | X |
| | Sleutel cartridge driewegklep | CARTOUCHE CLEF VC-VANNE A 3 VOIES | S4452900 | | |
| 356 | Driewegklep motor VC2010 SHR | MOTEUR VANNE 3 VOIES VC2010 SHR | S4334910 | X | X |
| 357 | Leiding driewegklep/retour CBV/H | CONDUITE VANNE 3 VOIES/RETOUR CBV/H | | X | X |
| 370 | Koudw. aansluitleid. 15 mm CBV/H | CONDUITE D'ALIMENTATION EAU FROID 15 CBV/H | | X | X |
| 371 | Inlaatcombinatie CBV/H | GROUPE DE SÉCURITÉ COMPLET CBV/H | S4329210 | X | X |
| 372 | Warmwateraansluitleiding CBV/H | CONDUITE ø15 MELANGEUSE CBV/H60 | | X | X |
| 373 | T-stuk 15x15x12 knel | PIÈCE T BICON 15X15X12 | | X | X |
| 374 | Leid. ø15 koud mengv.CBV/H60 | CONDUITE ø15 EAU FROID VANNE MELANG.CBV/H60 | | X | X |
| 375 | Kruisstuk 15 mm knel | PIECE X 15MM BICON | | X | X |
| 376 | Leiding ø15 mix CBV/H60 | CONDUITE EAU CHAUDE CBV/H | S4352300 | X | X |
| 377 | Therm.mengvent. Ø15 knel | VANNE MELANGEUSE THERMOST.Ø15 COMPR | S4312500 | X | X |
| 378 | Doorstroombegrenzer CBV/H | LIMITEUR DE DÉBIT CBV/H | S4343800 | X | X |
| 379 | Kw-leid.Doseervnt./kruisst.CBV/H | CONDUITE ø15 EAU FROID VANNE DOSAGE CB | S4348500 | X | X |
| 380 | Leiding ø15 koud mengvent. SHR | CONDUITE VANNE MELANG.EAU FR.Ø15SHR | | X | X |
| 381 | Leiding overst.inl.comb.CBV/H | CONDUITE GROUPE DE SECURITE CBV/H | S4348200 | X | X |



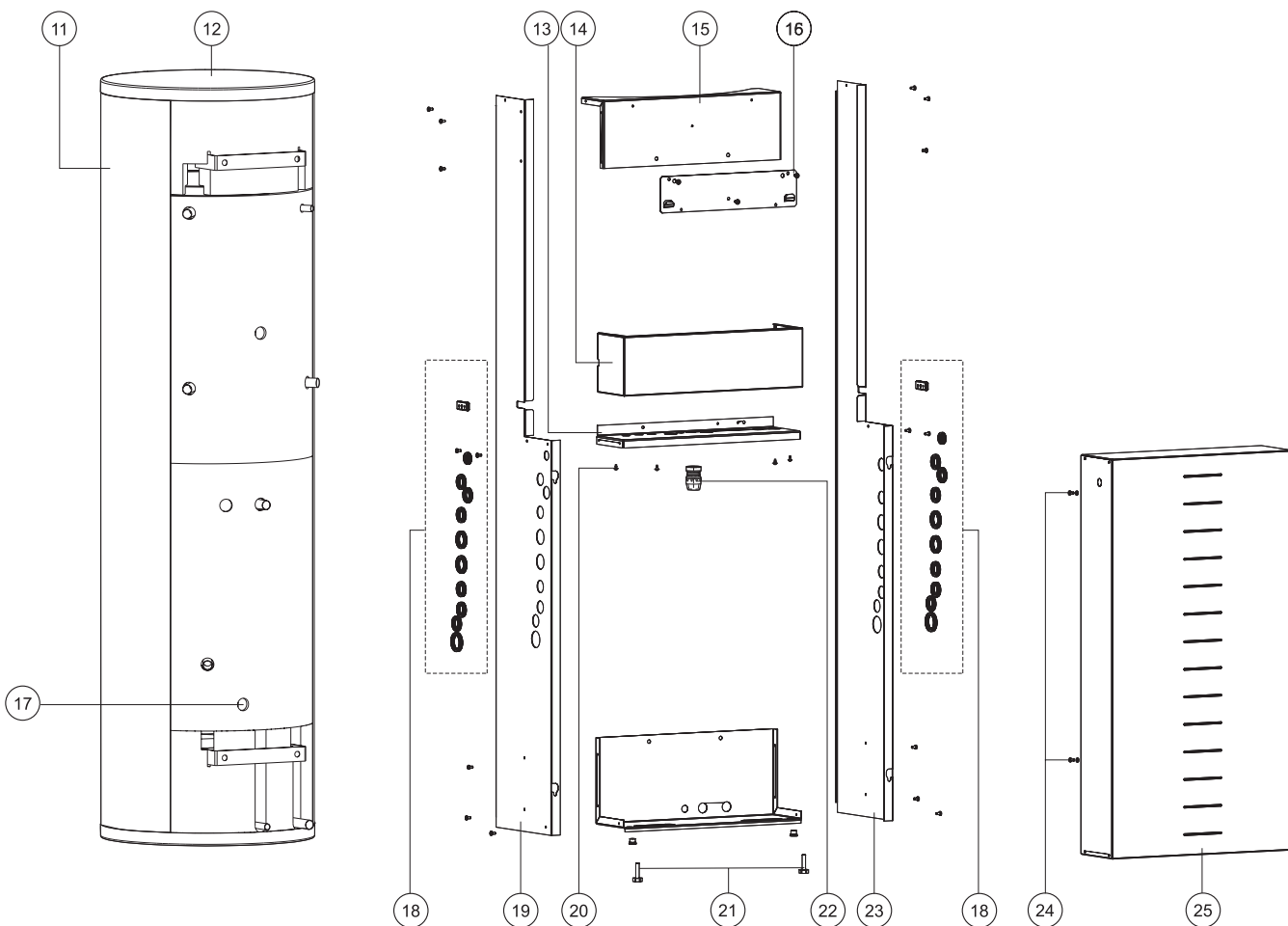
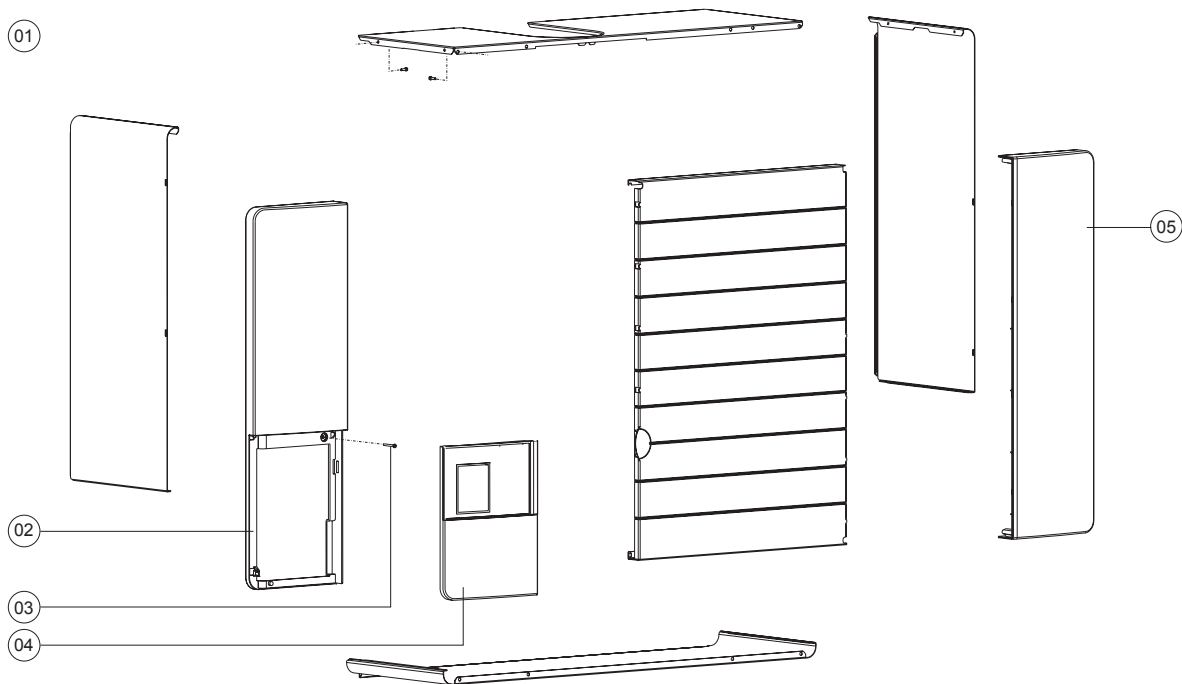
| Pos. | Omschrijving | Description | Art.nr. | ComfortBoiler | | |
|------|------------------------------------|---|----------|-----------------------------------|----------------------|---|
| | | | | 60 Liter CBV CBH | 110 Liter CBV CBH | |
| | | | | Bouwjaar Année de construction | 1996 - 2005 | |
| 300 | Mantel CBV/H | HABILLAGE CBV/H | | | X | X |
| | Mantel CBV/H wit | HABILLAGE CBV/H BLANC | | | | X |
| 301 | Paneel mantel kunststof | PANNEAUX PLASTIC | S4314700 | | X | |
| 400 | Verbindingsleid.ret. CBH | CONDUITE CONNEX RETOUR CBH | S4351710 | | X | X |
| 401 | Verbindingsleid.aanvoer CBH | CONDUITE CONNEX ALIMENTATION CBH | | | X | X |
| 402 | Kabelboom CBV/H | BORNIER CBV/CBH | S4349910 | | X | X |
| 403 | Boiler CBH 60 | Boiler CBH 60 | | | X | |
| | Boiler CBH 110 | Boiler CBH 110 | | | | X |
| | Inspectieluik afdichting CB | O-RING REGARD CBS/ZLB/60/110 | S4448700 | | | |
| | Inspectieluik moer | ÉCROU DE REGARD | | | | |
| | Inspectiel. CBV/H/CBS/ENH | REGARD CPL. CVB/H/CBS/ENH | S4448900 | | | |
| | Inspectieluik beugel | SUPPORT DE REGARD | S4449000 | | | |
| 404 | NTC SHR/Boiler/ZGC T2/T3/T8/T9 | SONDE NTC SHR/ZGC T2/T3/T8/T9 | S4309700 | | | |
| 405 | Condensafvoerleiding CBH | CONDUIT CONDENSAT CBH | | | X | X |
| 420 | Aanvoerleid. toestel / boiler CBH | CONDUITE DEPART BA1H./BA3H. | S4350800 | | X | X |
| 421 | Retourleiding toestel / boiler CBH | CONDUITE V3V-POMPE BA1H./BA3H. | S4350700 | | X | X |
| 422 | Retourleiding dwk / boiler CBV/H | CONDUITE CONNEX BOILER-V3V BA1./BA3 | S4342800 | | X | X |
| 423 | Koppelingset Boiler Combi | KIT DE RACCORDEMENT BOILER | S4272100 | | X | X |
| | Drukkring M35 30ø | RING DE PRESSION | | | X | X |
| | Wartel M35 30ø | EMERILLON M35 30° BISEaute | S4259500 | | X | X |
| | Knelring koppeling | RING DE COMPRESSION | | | X | X |
| | O-ring ø26,70X 1,78 Boiler | O-RING Ø 26.70X1.78 BOILER (3X) | S4259800 | | X | X |
| 424 | Driewegklephuis VC O-ring | VANNE 3 VOIES CORPS VC O-RING | S4308200 | | X | X |
| 425 | Cartridge VC-driewegklep | CARTOUCHE VC-VANNE 3 VOIES | S4268400 | | X | X |
| | Sleutel cartridge driewegklep | CARTOUCHE CLEF VC-VANNE A 3 VOIES | S4452900 | | | |
| 426 | Driewegklep motor VC2010 SHR | MOTEUR VANNE 3 VOIES VC2010 SHR | S4334910 | | X | X |
| 427 | Leiding driewegkl./ retour CBV/H | CONDUITE VANNE 3 VOIES/RETOUR CBV/H | | | X | X |
| 440 | Koudwateraansluitleiding 15 mm | CONDUITE D'ALIMENTATION EAU FROID 15 CBV/H | | | X | X |
| 441 | Inlaatcombinatie CBV/H | GROUPE DE SÉCURITÉ COMPLET CBV/H | S4329210 | | X | X |
| 442 | Warmwateraansluitleiding CBV/H | CONDUITE ø15 MELANGEUSE CBV/H60 | S4352400 | | X | X |
| 443 | T-stuk 15X15X12 knel | PIÈCE T BICON 15X15X12 | | | X | X |
| 444 | Leiding ø15koud mengv.CBV/H60 | CONDUITE ø15 EAU FROID VANNE MELANG.CBV/H60 | | | X | X |
| 445 | Kruistuk 15 MM knel | PIECE X 15MM BICON | | | X | X |
| 446 | Leiding ø15 MIX CBV/H60 | CONDUITE EAU CHAUDE CBV/H | S4352300 | | X | X |
| 447 | Therm.mengvent. ø15 knel | VANNE MELANGEUSE THERMOST.Ø15 COMPR | S4312500 | | X | X |
| 448 | Doorstroombegrenzer CBV/H | LIMITEUR DE DÉBIT CBV/H | S4343800 | | X | X |
| 449 | KW-leid. dosseervent.CBV/H | CONDUITE EAU FROID VANNE DOSAGE CBV/H | S4348500 | | X | X |
| 450 | Leiding ø15 koud mengvent. SHR | CONDUITE VANNE MELANG.EAU FR.Ø15SHR | | | X | X |
| 451 | Leiding overstort.inl.comb.CBV/H | CONDUITE GROUPE DE SECURITE CBV/H | S4348200 | | X | X |

ATAG

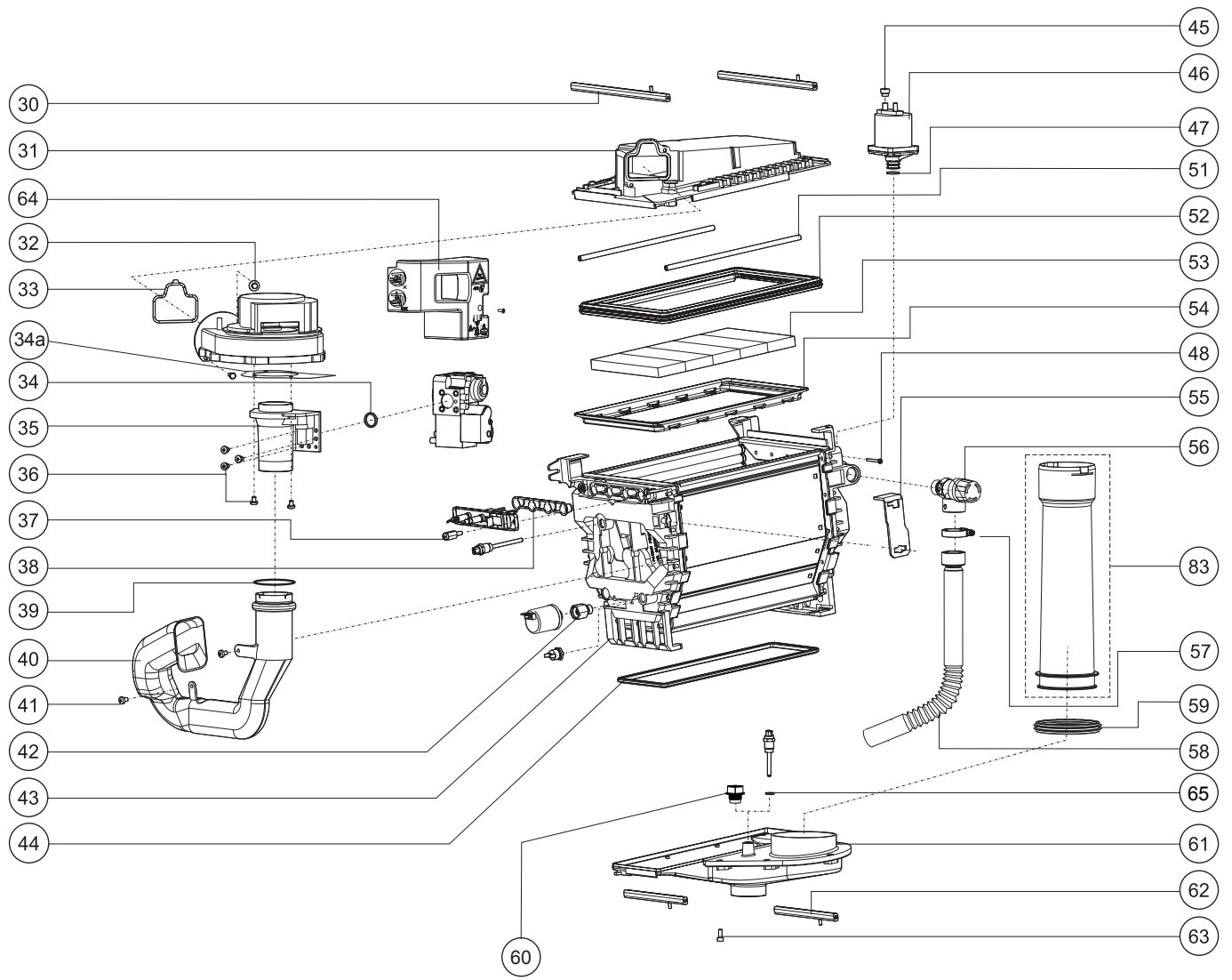
ZonneGasCombi



- ZonneGasCombi HR-ZGC 15
- ZonneGasCombi HR-ZGC 24
- ZonneGasCombi HR-ZGC 35



| Pos. | Omschrijving | Description | Art.nr. No. d'article | HR-ZonneGasCombi 200 Liter/Litres | | |
|------|---------------------------------|------------------------------------|--------------------------|--------------------------------------|----|----|
| | | | | 15 | 24 | 35 |
| 1 | Mantel shr15/24/35 | HABILLAGE SHR15/24/35 | S4326010 | X | X | X |
| 2 | Paneel mantel kunststof l shr | PANNEAUX PLASTIC HABILLAGE L SHR | | X | X | X |
| 3 | Bout m 5x10 ck-pz din 84/4.8 5x | CÔTÉ HABILLAGE L SHR | S4345800 | X | X | X |
| 4 | Deur mantel | PORTE ATAG SHR | S4324200 | X | X | X |
| | Deursticker | AUTOCOLLANT INSTRUCTIONS SHR | 8H332000 | X | X | X |
| 5 | Paneel mantel kunststof r shr | PANNEAUX PLASTIC HABILLAGE R SHR | S4314700 | X | X | X |
| 11 | Mantel PPZGCII Silver | HABILLAGE PP ZGCII GRIS 200 | | X | X | X |
| 12 | Deksel zwart ZGCII | COUVERCLE NOIR ZGCII 200 | | X | X | X |
| 13 | Scheidingsplaat mantel ZGCII | TOLE DE SÉPERATION HABILL. ZGCII | | X | X | X |
| 14 | Afdekplaat koppelingen ZGCII | CACHE RACCORDS Q-SOLAR | S4521400 | X | X | X |
| 15 | Ophangbeugel pf/e-shr15/24/35 | SUPPORT PF/E-SHR15/24/35 | S4341610 | X | X | X |
| 16 | Bovendeel ZGCII 200 | PARTIE HAUT ZGCII 200 | | X | X | X |
| 17 | Bus pt100 t6 sensor shrzgc/cbs | BUS SONDÉ PT100 T6 SHRZGC/CBS | S4521500 | X | X | X |
| 18 | Doorvoertule set | KIT DE PASSAGES | | X | X | X |
| 19 | Zywand mantel L ZGCII | COTÉ D'HABILLAGE GAUCHE ZGCII | | X | X | X |
| 20 | Vergrendeling mantel (4x) | FERMETURE HABILLAGE (4X) | | X | X | X |
| 21 | Steun instelbaar | SUPPORT ADJUSTABLE | | X | X | X |
| 22 | Doorvoer PG11/12 | PASSAGE PG11/12 | | X | X | X |
| 23 | Zywand mantel R ZGCII | COTÉ D'HABILLAGE DROITE ZGCII | | X | X | X |
| 24 | Aansluitset mantel | KIT DE RACCORDEMENT HABILLAGE | | X | X | X |
| 25 | Mantel leidingdeel ZGCII | HABILLAGE PARTIE DE CONDUITE ZGCII | | X | X | X |



| Pos. | Omschrijving | Description | Art.nr. No. d'article | HR-ZonneGasCombi 200 Liter/Litres | | |
|------|--------------------------------|--------------------------------------|--------------------------|--------------------------------------|----|----|
| | | | | 15 | 24 | 35 |
| 30 | Klemstang bovenbak lang shr | BARRE DE SERR. LONGUE TETE MEL. SHR | S4310800 | X | X | X |
| 31 | Bovenbak sam. Shr15/24 1:6 | TETE MELANGEUSE ECHANG.SHR15/24 1:6 | S4436110 | X | X | |
| | Bovenbak sam. Shr35 | TETE MELANGEUSE ECHANGEUR SHR35 | S4371110 | | | X |
| 32 | Bout m 5x16 5x | BOULON M 5X16 (5X) | | X | X | X |
| 33 | Afdichting vent./bovenbak shr | JOINT VENTILATEUR/TETE MELANG. SHR | S4305700 | X | X | X |
| 34 | Afdichting gasblok -venturi | JOINT D'ETANCHIETE BLOC GAZ-VENTURI | S4337610 | X | X | X |
| 34a | Afdichting venturi-vent. Shr | JOINT VENTURI-VENTILATEUR SHR | S4325610 | X | X | X |
| 35 | Venturi shr24 | VENTURI SHR24 | S4318810 | X | X | |
| | Venturi shr35 | VENTURI SHR35 | S4318920 | | | X |
| 36 | Bout vent-gasblok m5 x 10 5x | BOULON M 5X10 VENT-VANNE GAZ (5X) | S4345800 | X | X | X |
| 37 | Bout m6x30 3x | BOULON M 6X30 (3X) | S4356300 | X | X | X |
| | Moer m 6x18 3x | ÉCROU M 6X18 (3X) | S4356400 | X | X | X |
| 38 | Afdichting ion/ontst. set SHR | KIT JOINT ETANCHIET IONIS/ALLUM.SHR | S4397100 | X | X | X |
| 39 | Afdichtring aanzuigst-vent.SHR | JOINT D'ETANCHEITE ASP.AIR-VENT.SHR | S4309500 | | | |
| 40 | Aanzuigstuk E/PF/SHR15/24 | ASPIRATINON AIR E/PF/SHR15/24 | S4347510 | X | X | |
| | Aanzuigstuk e/SHR 32/35 | ASPIRATION AIR E/SHR 32/35 | S4325510 | | | X |
| 41 | Schroef taplité m5x 8 ck-pd 3x | VIS M5 X 8 3X | S4167500 | X | X | X |
| 42 | Waterslot druksensor SHR | CHAMBRE EQ. SONDE PRESS.D'EAU SHR | S4325900 | X | X | X |
| 43 | Warmtewisselaar SHR15/24 | ECHANGEUR DE CHALEUR SHR15/24 | | X | X | |
| | Warmtewisselaar SHR35 | ECHANGEUR DE CHALEUR SHR35 | | | | X |
| 44 | Afd. Wiss./condensb.shr15/24 | JOINT ECHANG./BAC CONDENS. SHR15/24 | S4306300 | X | X | |
| | Afd. Wiss./condensb.shr35 | JOINT ECHANG./BAC CONDENSAT SHR35 | S4306400 | | | X |
| 45 | Dop ontluchter shr 3x | CAP PURGEUR CALEFFI 3X | S4380600 | X | X | X |
| 46 | Ontluchter e/pf/shr chrom | PURGEUR E/PF/SHR CHROME | S4419110 | X | X | X |
| 47 | O-ring ø13,94x2,62 ontl.shr | O-RING Ø 13.94X2.62 PURGEUR SHR | S4342300 | X | X | X |
| 48 | Bout m3 x 30 3x | BOULON M 3X30 (3X) | S4345900 | X | X | X |
| 49 | Revisieset isolatieplaten SHR | KIT PLAQUES ISOLATION SHR | S4500010 | X | X | X |
| 51 | Slang siliconen l=14cm | TUYAU SILICONE L=14CM | S4440200 | X | X | |
| | Slang siliconen l=25cm | TUYAU SILICONE L=25CM | S4440300 | | | X |
| 52 | Afdichting branderbed shr15/24 | JOINT BRULEUR SHR15/24 | S4305910 | X | X | |
| | Afdichting branderbed shr35 | JOINT BRULEUR SHR35 | S4306000 | | | X |
| 53 | Branderbed s-hr 15/24 | BRÛLEUR S-HR 15/24 | S4330130 | X | X | |
| | Branderbed s-hr 35 | BRÛLEUR S-HR 35 | S4523920 | | | X |
| 54 | Opsluitlyst brander shr15/24 | CADRE BRULEUR SHR15/24 | S4304310 | X | X | |
| | Opsluitlyst brander shr35 | CADRE BRULEUR SHR35 | S4304410 | | | X |
| 55 | Bevestigingshaak bovenbak | FIXATION TETE MELANGEUSE | S4308500 | X | X | X |
| 56 | Overstort 3 bar pf/e/shr | VANNE DE SÉCURITÉ 3 BAR PF/E/SHR | S4344630 | X | X | X |
| 57 | Slangklem 20-32mm rvs | COLLIER SERRAGE TUYAU 20-32MM INOX | S4395600 | X | X | X |
| 58 | Leiding overstort shr | CONDUITE VANNE SÉCURITÉ SHR | S4467300 | X | X | X |
| 59 | Rookg.afv.pp shr/e/pf15-24 mr | EVACUAT,FUMEEES PP SHR/E/PF 15-24 MR | S4499400 | X | X | |
| | Rookg.afv.pp shr/e/pf 35kw zr | EVACUAT,FUMEEES PP SHR/E/PF 35KW ZR | S4500500 | | | X |
| 60 | Stop 1/4" | BOUCHON 1/4" | S4674500 | X | X | X |
| 61 | Condensbak shr15/24 | BAC CONDENSATS SHR15/24 | S4406920 | X | X | |
| | Condensbak shr35 | BAC CONDENSATS SHR35 | S4407020 | | | X |
| 62 | Klemstang condensb pf/e/shr | BARRE DE SERR. BAC CONDENS.PF/E/SHR | S4310700 | X | X | X |
| 63 | Bout m5 x 12 imbus 3x | BOULON M 5X12 ALLEN 3X | S4440000 | X | X | X |
| 65 | O-ring ø5x2 | O-RING Ø 5.00X2.00 SONDE DEPART 5X | S4329400 | | | |

Zie pagina 46 voor speciale onderhoudssets.

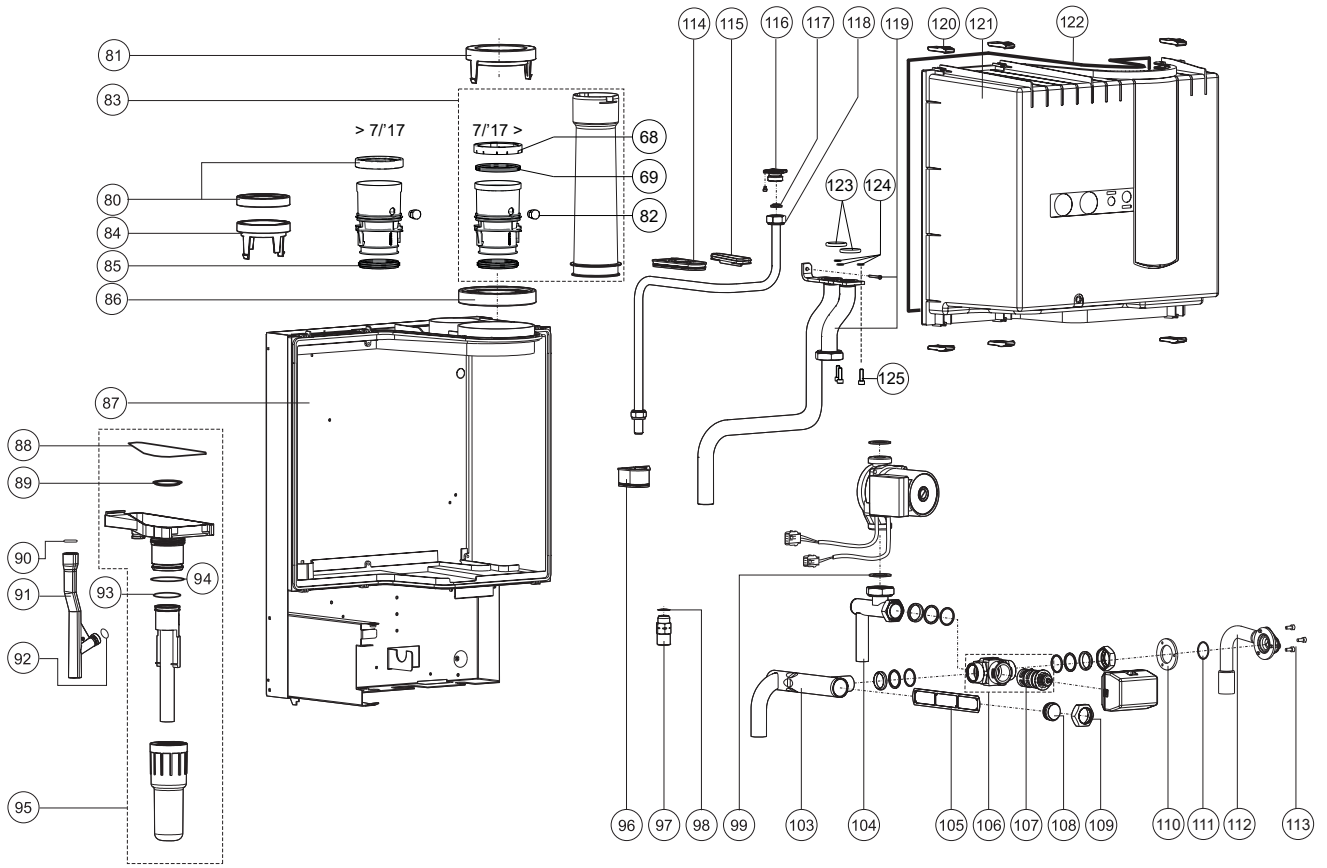
Voir page 46 pour les kits spéciaux d'entretien.



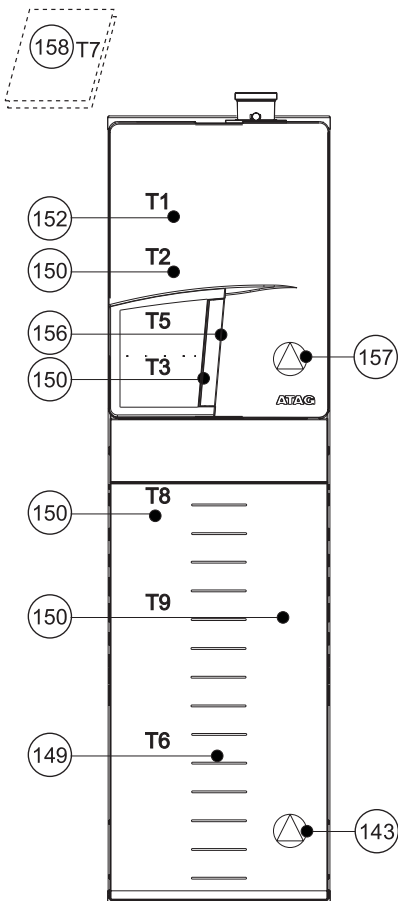
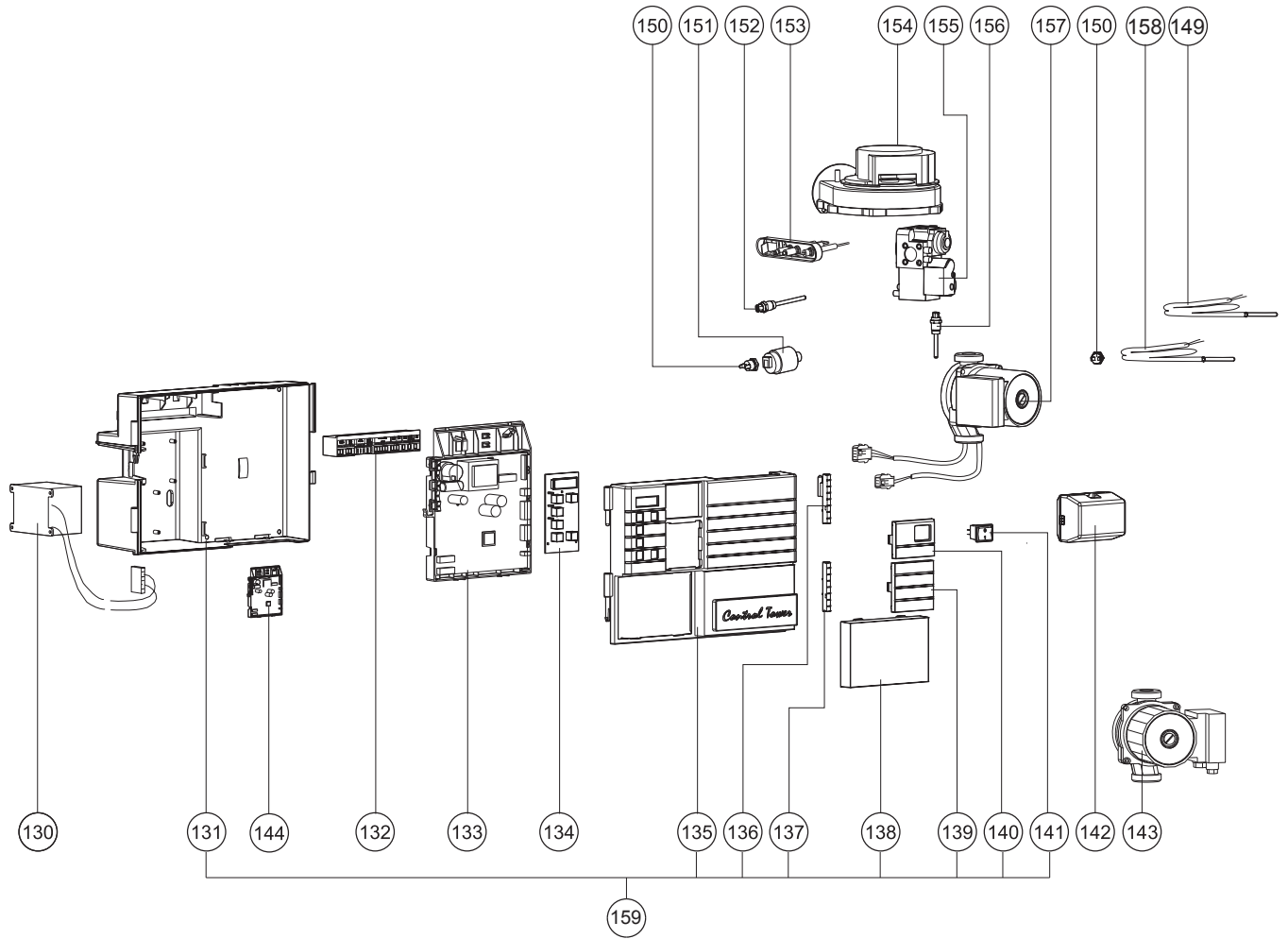
LET OP! De ketel kan voorzien zijn met een nieuwe OSS warmtewisselaar
Zie voor uitleg en complete OSS Onderhoudssets pagina 47.



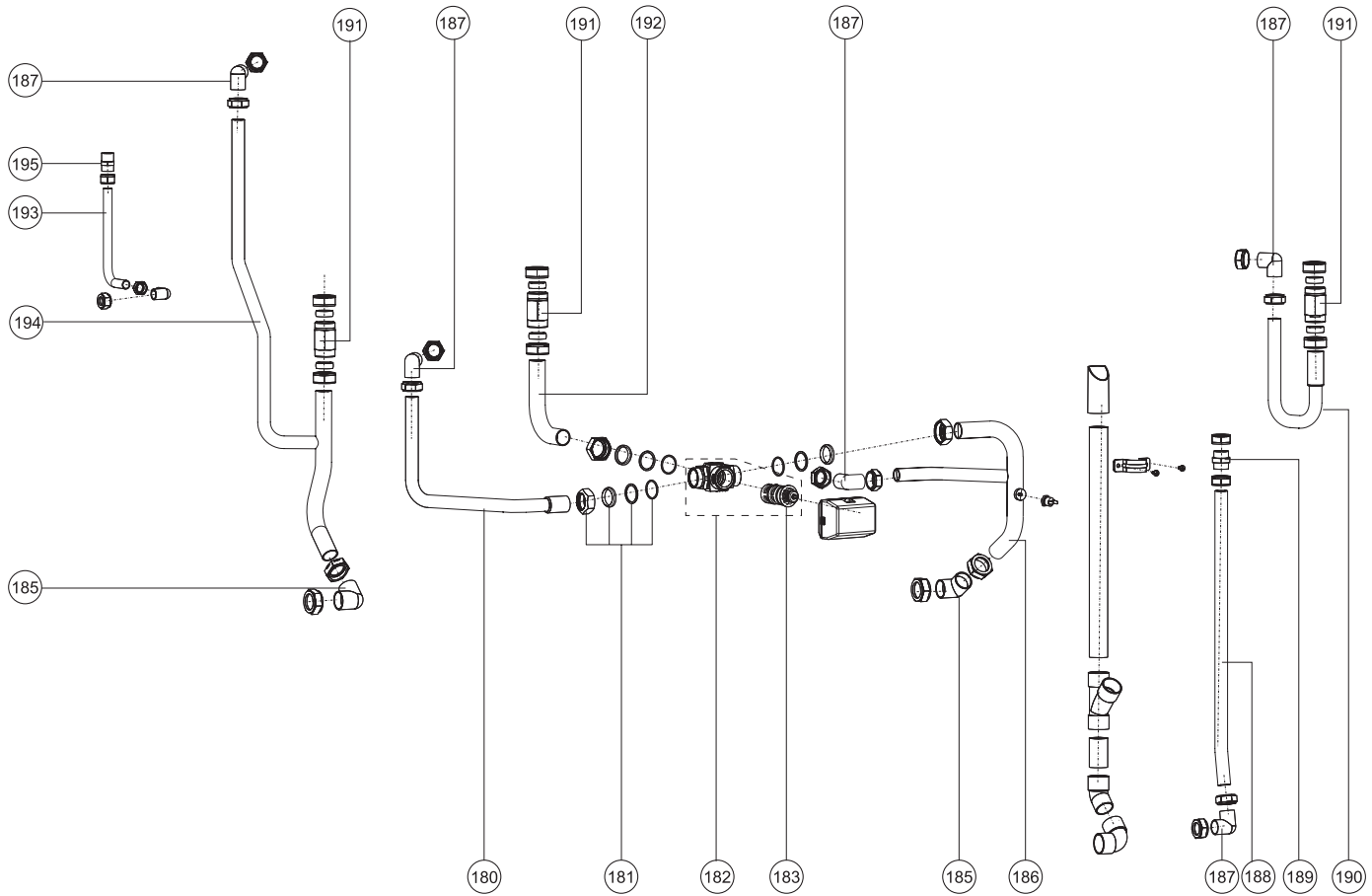
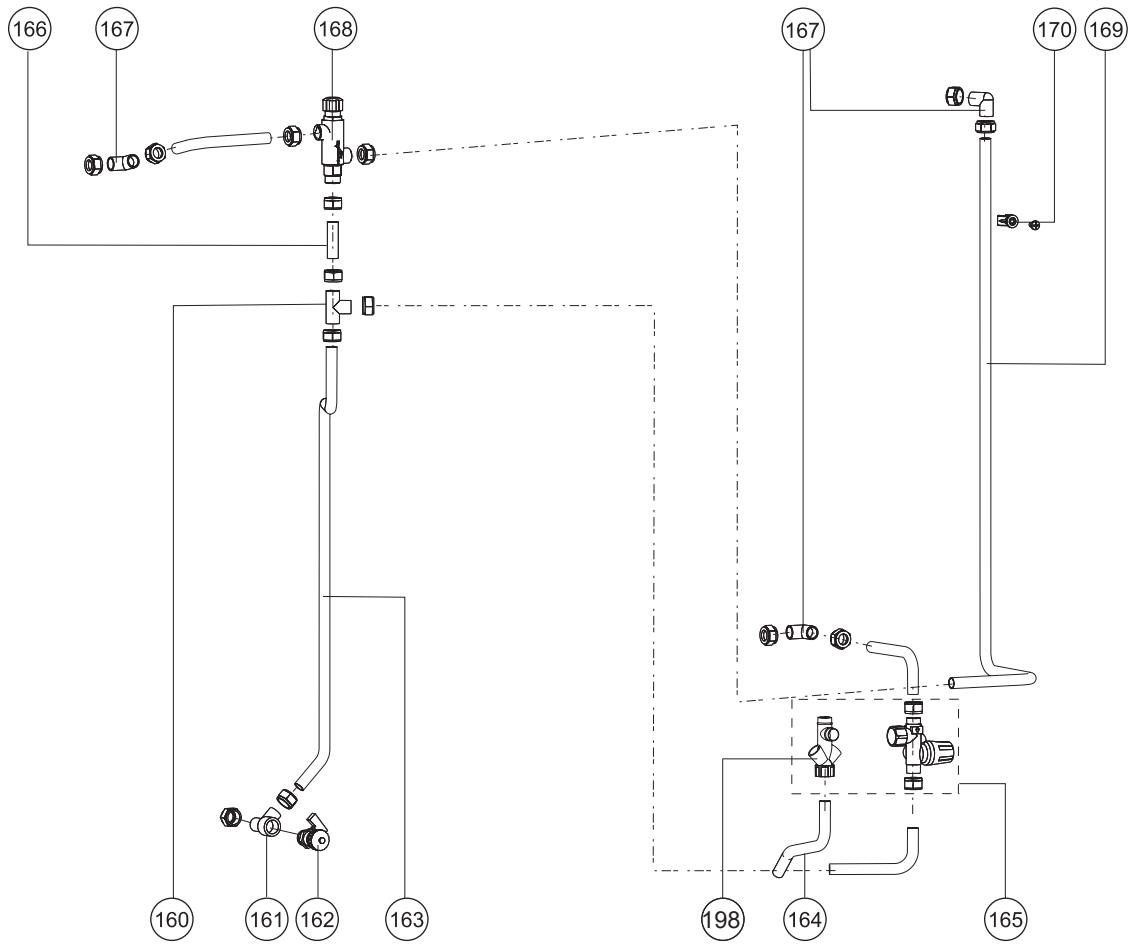
ATTENTION! La chaudière peut être équipée d'un nouvel échangeur de chaleur OSS
Voir page 47 pour explications et kits d'entretien complets OSS.



| Pos. | Omschrijving | Description | Art.nr. No. d'article | HR-ZonneGasCombi | | |
|------------------|------------------------------------|-------------------------------------|--------------------------|------------------|----|----|
| | | | | 15 | 24 | 35 |
| 200 Liter/Litres | | | | | | |
| | Vanaf 7/17: | À partir de 7/17: | | | | |
| 68 | Klemring uitlaatstomp Ø80 | Fixation joint d' évacuation | S4905800 | X | X | X |
| 69 | Afdichting rookgasafvoer Ø 80 (3X) | Joint d' évacuation 3X | S4816700 | X | X | X |
| 77 | Concentr. aansluitstuk 80/125 | ADAPTATEUR CONCENTRIQUE Ø80/Ø125 | AA1CA05U | X | X | X |
| 78 | Ombouw naar parallel ø80: | Conversion á sortie parallèle ø80: | | | | |
| | UITLAATSTOMP Ø 80 PP + RING | EVACUATION FUMÉES Ø 80 PP + ANNEAU | S4440520 | X | X | X |
| 79 | Stop concentrisch aansluitstuk | BOUCHON ADAPTATEUR CONCENTRIQUE | S4675800 | X | X | X |
| 80 | Afdichting luchttoev.ø80 SHR | JOINT ASPIRATION AIR Ø 80 SHR | S4323510 | X | X | |
| 81 | Deksel luchttoevoer ø 120/80 | COUVERCLE ASPIR. AIR CONC. 120/80 | S4323410 | | | X |
| 82 | Tule uitlaatstop | BOUCHON EVACUATION FUMÉES EPDM | S4339400 | X | X | X |
| 83 | Rookg.afv. Pp sam. SHR15-24 mr | EVACUAT.FUMÉES PP SHR/E/PF 15-24 MR | S4499400 | X | X | X |
| | Rookg.afv. Pp sam. SHR 35 zr | EVACUAT.FUMÉES PP SHR/E/PF 35KW ZR | S4500500 | X | X | X |
| 84 | Deksel luchttoev. 80 SHR | COUVERCLE ASPIR AIR Ø80 SHR | S4323310 | X | X | X |
| 85 | Afdichting uitlaatspyp pp SHR | JOINT ETANCHÉITE EVAC.FUMÉES PP SHR | S4472600 | X | X | X |
| 86 | Afdichting luchttoevoer ø120 SHR | JOINT ANCHÉITE AIR Ø120 | S4323710 | X | X | X |
| 87 | Luchtkast achterzijde SHR15-35 | BOITE A AIR ARRIERE SHR15/24/35 | S4316100 | X | X | X |
| 88 | Afdichting sifonbak-luchtk.SHR | JOINT SIPHON-BOITE A AIR.SHR | S4339110 | X | X | X |
| 89 | Afdichting sifonpyp-luchtk.SHR | JOINT CONDUITE SIPH-BOITE A AIR.SHR | S4316300 | X | X | X |
| 90 | O-ring ø19,50x1,80 sifonbak | O-RING Ø 19.50X1.80 SIPHON | S4312100 | X | X | X |
| 91 | Condensafvoerpyp SHR | EVACUATION CONDENSATS SHR | S4316500 | X | X | X |
| 92 | O-ring ø12,42x1,78 sifon 3x | O-RING Ø 12.42X1.78 | S4342400 | X | X | X |
| 93 | O-ring ø40 Sifonbak | O-RING Ø 40.00X3.50 BAC CONDENS.SHR | S4309900 | X | X | X |
| 94 | O-ring ø50 Sifonbeker | O-RING Ø50.00X3.50 COUPE SIPHON SHR | S4316400 | X | X | X |
| 95 | Sifon compleet SHR pp | SIPHON COMPLET SHR PP | S4451610 | X | X | X |
| 96 | Afdichting sifonbak-luchtk.shr | JOINT SIPHON-BOITE A AIR.SHR | S4339110 | X | X | X |
| 97 | Pypnippel 1/2"+o-ring SHR15-35 | MAMELON 1/2" AVEC O-RING SHR | S4493300 | X | X | X |
| 98 | O-ring ø13,94x2,62 geel silic. | O-RING Ø 13.94X2.62 JAUNE | S4328710 | X | X | X |
| 99 | Pomppakking 2x | JOINT DE POMPE (2X) | S1003810 | X | X | X |
| 100 | Pypnippel 1/2" met o-ring shr | MAMELON 1/2" AVEC O-RING SHR | S4493300 | X | X | X |
| 101 | Gasleiding kpl. Shr15/24 | CONDUITE GAZ CPL. SHR15/24 | S4340410 | X | X | |
| | Gasleiding kpl. Shr35/51/60 | CONDUITE GAZ CPL. SHR35/51/60 | S4340510 | | | X |
| 102 | Doorvoer gasleid.luchtk.shr | PASSAGE CONDUITE GAZ-BOITE A AIR | | X | X | X |
| 103 | Leid. Ret.-dwk filt. SHR15-35 | CONDUITE RET.-V3V FILT. SHR15-35 | S4317700 | X | X | X |
| 104 | Leid dwk-pomp extern exp.vat SHR | CONDUITE 3V3-POMPE EXT.VASE EXP.SHR | S4318020 | X | X | X |
| 105 | Filter retourleiding SHR | FILTRE CONDUITE RETOUR SHR | S4317500 | X | X | X |
| 106 | Driewegklep huis VC O-ring | VANNE 3 VOIES CORPS VC O-RING | S4308200 | X | X | X |
| 107 | Cartridge VC-driewegklep | CARTOUCHE VC-VANNE 3 VOIES | S4268400 | X | X | X |
| 108 | Filterdop PF/E/SHR | CAP FILTRE PF/E/SHR | S4317610 | X | X | X |
| | O-ring ø25,07 x 2,62 dwk | O-RING Ø25.07 X 2.62 | S4158300 | X | X | X |
| 109 | Wartel m35 30ø | EMERILLON M35 30° BISEAUTE | S4259500 | X | X | X |
| 110 | Flensplaat dwk | BRIDE DE MONTAGE VANNE3V | S4371700 | X | X | X |
| 111 | O-ring ø26,70x 1,78 boiler | O-RING Ø 26.70X1.78 BOILER (3X) | S4259800 | X | X | X |
| 112 | Leiding boiler-dwk solo | CONDUITE BOILER-V3V SOLO SHR ZGC | S4371800 | X | X | X |
| 113 | Bout m 5x12 imbus verz. 3x | BOULON M 5X12 ALLEN 3X | S4440000 | X | X | X |
| 114 | Doorvoer cv leiding | PASSAGE CONDUITE CHAUFF | S4310610 | X | X | X |
| 115 | Servicetule luchtk.-wiss. Shr | TULLE DE SERVICE BOITE AIR.-ECH.SHR | S4317200 | X | X | X |
| 116 | Kopp. Set gasblok pf/e/shr | KIT RACCORDEMENT BLOC GAZ PF/E/SHR | S4340900 | X | X | X |
| | O-ring ø21,89x2,62 gasleid.3x | O-RING Ø21.89X2.62 CONDUITE GAZ 3X | S4334500 | X | X | X |
| 117 | O-ring ø13,94x2,62 geel silic. | O-RING Ø 13.94X2.62 JAUNE | S4328710 | X | X | X |
| 116 | Gasleiding kpl. SHR15/24 | CONDUITE GAZ CPL. SHR15/24 | S4340410 | X | X | |
| | Gasleiding kpl. SHR35/51/60 | CONDUITE GAZ CPL. SHR35/51/60 | S4340510 | | | X |
| 119 | Leiding aanvoer shr15/24 | CONDUITE DEPART SHR15/24 | S4318510 | X | X | |
| | Leiding aanvoer shr35 | CONDUITE DEPART SHR35 | S4318610 | | | X |
| | Bevestigingsschroef 5x | VIS AUTOTARAUDEUS 4,8X13POINTUES 5X | | X | X | X |
| | Vul- en aftapkraan | VANNE DE REMPLISSAGE/VIDANGE | S1002200 | X | X | X |
| 120 | Sluiting luchtkast rood shr | FERMOIR BOITE A AIR ROUGE SHR | S4322500 | X | X | X |
| 121 | Luchtkast shr 15-24-35 | BOITE A AIR AVANT SHR15/24/35 | S4315800 | X | X | X |
| 122 | Afdichting luchtkast ø5,5 | JOINT D'ETANCHÉITE Ø5,5 EPDM | S4397000 | X | X | X |
| 123 | O-ring ø29,74x3,53 aanv./ret. (2x) | O-RING Ø 29.74X3.53 DEPART/RET.(2X) | S4312300 | X | X | X |
| 124 | O-ring ø4,76x1,78 borg WW (3x) | O-RING Ø 4.76X1.78 SEC.ECH SHR(3X) | S4322320 | X | X | X |
| 125 | Bout m6x20 rvs(a2)imb. Bp.4,2 3x | VIS m6x20 rvs(a2)imb. Bp.4,2 3x | S4307220 | X | X | X |

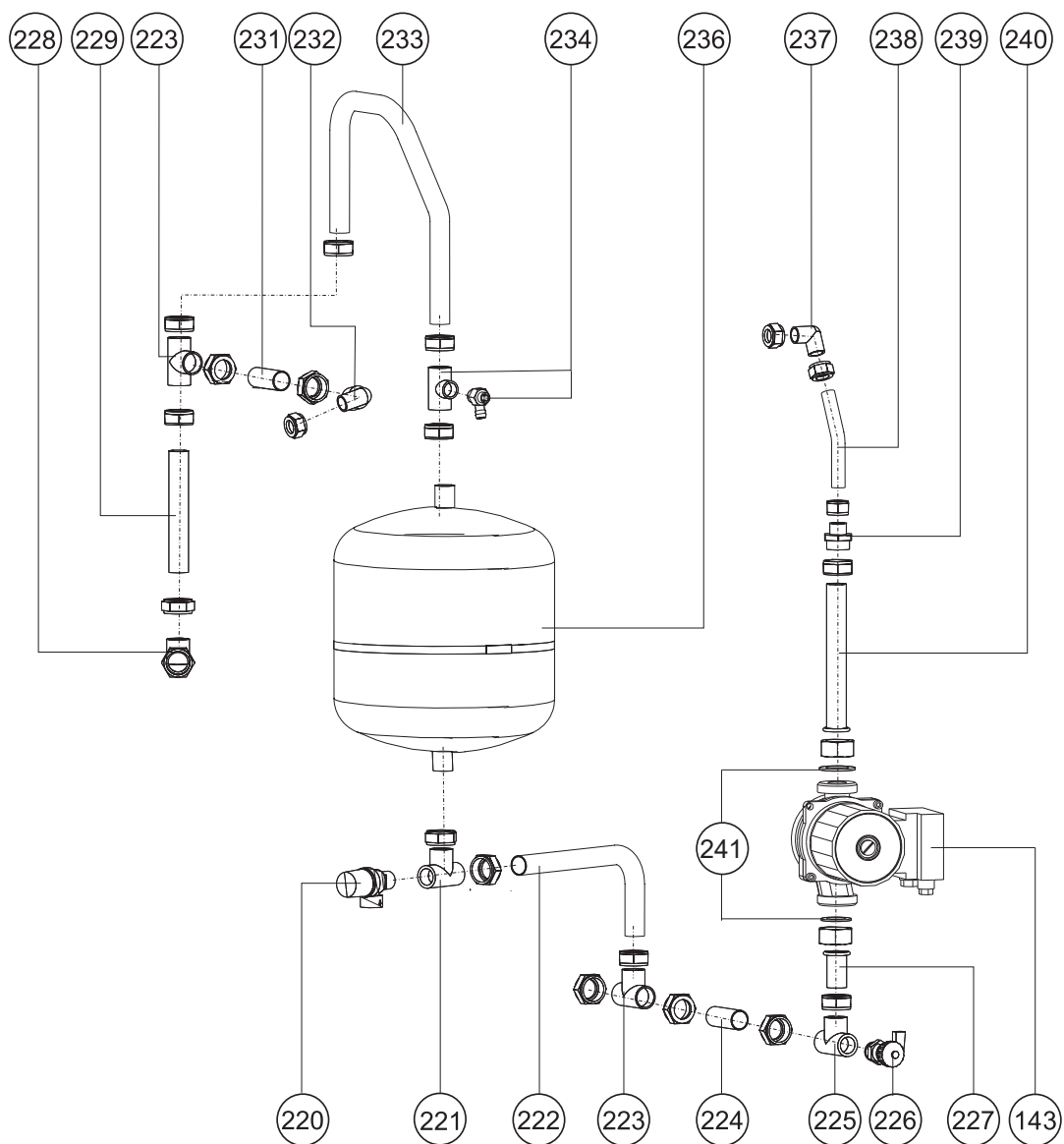


| Pos. | Omschrijving | Description | Art.nr. No. d'article | HR-ZonneGasCombi 200 Liter/Litres | | |
|------|---|--|--------------------------|--------------------------------------|----|----|
| | | | | 15 | 24 | 35 |
| 130 | Trafo 72 va + zelftappers | TRAF0 72 VA FAN 24V + VIS | S4324900 | X | X | X |
| | Bevestigingsschroef 5x | VIS AUTOTARAUDEUS 3,5X 9,5 POINT 5X | S4370300 | X | X | X |
| 131 | Control tower achterdeel shr | BOITIER DE COMMANDE ARRIERE SHR | S4322700 | X | X | X |
| 132 | Kabelboom shr | BORNIER CPL S-HR/Q | S4398510 | X | X | X |
| | Sticker aansluitblok ZGCII | AUTOCOLLANT BORNIER CONNEXION | 8A332200 | X | X | X |
| | Aansluitsn. +stekker l=1900 | CABLE DE RACCORDEMENT-FICHE L=1900 | S4320100 | X | X | X |
| | Stekker 2-polig paars | CONNECTEUR 2-POLES VIOLET | S4320300 | X | X | X |
| | Stekker 2-polig wit | CONNECTEUR 2-POLES BLANC | S4320400 | X | X | X |
| | Stekker 2-polig zwart | CONNECTEUR 2-POLES NOIR | S4320500 | X | X | X |
| | Stekker 3-polig groen ext.pomp | CONNECTEUR 3-POLES VERT POMPE EXT. | S4351300 | X | X | X |
| | Stekker 3-polig grijs | CONNECTEUR 3-POLES GRIS | S4380900 | | | |
| | Stekker 3-polig transp. Snij | CONNECTEUR 3-POLES TRANSP. | S4380800 | | | |
| | Stekker 4-polig bruin | CONNECTEUR 4-POLES BRUN | S4320600 | X | X | X |
| | Stekker 6-polig blauw | CONNECTEUR 6-POLES BLEU | S4350600 | X | X | X |
| | Kabelboom driewegklep shr | BORNIER VANNE 3 VOIES S-HR | S4319900 | X | X | X |
| 133 | Stuurautomaat 1418 h3.1 zgcshr | UNITÉ COMMANDE 1418 H3.1 V4.28SOLAR | S4528000 | X | X | X |
| | Zekering glas 100 ma 250 3x | FUSIBLE VERRE 100 MA 250 3X | S4352800 | X | X | X |
| | Zekering glas 2,0 af 250 3x | FUSIBLE VERRE 2,0 AF 250 3X | S4353000 | X | X | X |
| | Zekering glas 3,0 at 250 3x | FUSIBLE VERRE 3,0 AT 250 3X | S4352900 | X | X | X |
| 134 | Display mcba 1415 shr | ECRAN MCBA 1415 SHR | S4713600 | X | X | X |
| | Bandkabel display hrzgc | CABLE PLAT ECRAN HRZGC | S4320000 | X | X | X |
| 135 | Control tower voor kpl. Shr | BOITIER DE COMMANDE AVANT CPL. SHR | S4322600 | X | X | X |
| 136 | Sluiting contr.t.luchtk.shr | FERMOIR BOITIER COMM-BOITE A AIR-HR | S4323200 | X | X | X |
| 137 | Sluiting contr.t.shr | FERMOIR BOITIER DE COMM. S-HR | S4323100 | X | X | X |
| 138 | Kap ct onder shr | COUV.VOITIER DE COMM. INFER. S-HR | S4323000 | X | X | X |
| 139 | Kap control tower midden shr | COUV.BOITIER DE COMM.MILIEU SHR | S4322900 | X | X | X |
| 140 | Kap ct boven voor schakelaar | COUV.BOITIER DE COMM. INTERRUPTEUR | S4346200 | X | X | X |
| 141 | Schakelaar 230v shr | INTERRUPTEUR 230V SHR | S4348400 | X | X | X |
| 142 | Driewegklep motor vc2010 shr | MOTEUR VANNE 3 VOIES VC2010 SHR | S4334910 | X | X | X |
| | Driewegklep motor vc6940 shr | MOTEUR VANNE 3 VOIES VC6940 SHR | S4335010 | X | X | X |
| 143 | Solarpomp | POMPE UPR 15-60 130 ZLS | S4108100 | X | X | X |
| | Energiezuinige pomp als vervanging voor toestellen tot 8/15: | Pompe écoénergétique en remplacement des appareils jusqu'à 8/15 : | | | | |
| | Pomp UPMO 15-60 130 3U | POMPE UPMO 15-60 130 3U | S5033900 | X | X | X |
| 144 | Zonmodule | MODULE SOLAIRE 1418 AM6 | S4527800 | X | X | X |
| 149 | Sensor pt100 zondeel t6 zgc | SONDE PT-8330/100 L=1550 ZLS | S0017910 | X | X | X |
| 150 | NTC SHR/Boiler/ZGC T2/T3/T8/T9 | SONDE NTC SHR/ZGC T2/T3/T8/T9 | S4309700 | X | X | X |
| 151 | Waterdruksensor + waterslot | SONDE PRESSION D'EAU + CLAPET ANTI-RETO | S4466300 | X | X | X |
| | Verloopkabel waterdruksensor Voor ketels van bouwjaar '96-'99 | CABLE ADAPTAT. SONDE PRESS EAU SHR POUR CHAUDIÈRES AVANT '96-'99 | S4435400 | X | X | X |
| 152 | NTC aanvoer T1 / E-PF NTC T3 | SONDE DEPART T1 / E-PF NTC T3 | S4307420 | X | X | X |
| 153 | Elektrode ontst. + pakk. Shr | ELECTRODE ALLUM.-ION.+JOINT SHR | S4311600 | X | X | X |
| | Ontstekingkabel kpl. Shr | CABLE D'ALLUMAGE CPL. SHR | S4323800 | X | X | X |
| | Ionisatiekabel shr | CABLE D'IONISATION SHR | S4323900 | X | X | X |
| 154 | Ventilatormotor 24v dc 15/35 | VENTILATEUR TYPE 24V DC 15/35 | S4442720 | X | X | X |
| 155 | Gasblok pf/e/shr | BLOC GAZ HONEYWELL PF/E/SHR | S4304700 | X | X | X |
| 156 | NTC rookgas T5 shr. | SONDE NTC FUMÉES T5 SHR. | S4339510 | X | X | X |
| | NTC rookgas T5 + kabel shr | SONDE NTC FUMÉES T5 + CABLE SHR | S4368200 | X | X | X |
| 157 | Pomp uper pwm 20-60 s-hr | POMPE UPER 20-60 S-HR | S4527000 | X | X | |
| | Pomp uper pwm 20-70 s-hr | POMPE UPER 20-70 S-HR/Q | S4528500 | | | X |
| 158 | Sensor pt100 2,50m zlc/zlb/zgc | SONDE PT-8330/100 L=2500 SOLAIRE | S0017800 | X | X | X |
| 159 | Control Tower compleet | CONTROL TOWER COMPLET | S4779400 | X | X | X |
| | Control Tower bestaat uit: | CONTROL TOWER COMPREND: | | | | |
| 131 | Control tower achterdeel SHR | BOITIER DE COMMANDE ARRIERE SHR | S4322700 | X | X | X |
| 135 | Control tower voor kpl. SHR | BOITIER DE COMMANDE AVANT CPL. SHR | S4322600 | X | X | X |
| 136 | Sluiting contr.t.-luchtk. SHR | FERMOIR BOITIER COMM-BOITE A AIR-HR | S4323200 | X | X | X |
| 137 | Sluiting contr.t. SHR | FERMOIR BOITIER DE COMM. S-HR | S4323100 | X | X | X |
| 138 | Kap ct onder SHR | COUV.VOITIER DE COMM. INFER. S-HR | S4323000 | X | X | X |
| 139 | Kap ct midden SHR | COUV.BOITIER DE COMM.MILIEU SHR | S4322900 | X | X | X |
| 140 | Kap ct boven voor schakelaar | COUV.BOITIER DE COMM. INTERRUPTEUR | S4346200 | X | X | X |
| | Actieve anode set | KIT ANODE ACTIVE | S4680900 | X | X | X |



Service onderdelen / Pièces détachées

| Pos. | Omschrijving | Description | Art.nr. No. d'article | HR-ZonneGasCombi 200 Liter/Litres | | |
|------|----------------------------------|--------------------------------------|--------------------------|--------------------------------------|----|----|
| | | | | 15 | 24 | 35 |
| 160 | T-stuk 15x15x15 knel S1220 | PIECE T BICON 15X15X15 S1220 | | X | X | X |
| 161 | T-stuk 15x15x1/2"bi | PIECE T BICON 15X15X1/2"INT. | | X | X | X |
| | Terugslagklep 1/2" ocean | VANNE NON-RETOUR 1/2" OCEAN | | X | X | X |
| 162 | Vul- en aftapkraan 1/2" bu | VANNE DE REMPLISSAGE/VIDANGE | S1002200 | X | X | X |
| 163 | Leiding ø15 koud boiler ZGCII | CONDUITE ø15 EAU FROIDE BOILER ZGCII | | X | X | X |
| 164 | Overstortleiding inl.comb. ZGCII | TUYAU DRAINAGE GR. DE. SEC. | S4494700 | X | X | X |
| 165 | Inlaatcombinatie shr nz | GROUPE DE SÉCURITÉ COMPLET SHR NZ | S4333500 | X | X | X |
| | Leiding ø15 koud ZGCII | CONDUITE ø15 EAU FROIDE ZGCII | | X | X | X |
| 166 | Leiding ø15 koud mengventiel | CONDUITE ø15 EAU FROIDE VANNE MELANG | | X | X | X |
| 167 | Kniekoppeling 15x15mm knel | RACCORD GENOU A COMPR.15 X 15 | S4178600 | X | X | X |
| 168 | Therm.mengvent. Ø15 knel | VANNE MELANGEUSE THERMOST.Ø15 COMPR | S4312500 | X | X | X |
| 169 | Leiding ø15 warm ZGCII | CONDUITE ø15 EAU CHAUDE ZGCII | | X | X | X |
| 170 | Zadel 15mm | SUPPORT DE CONDUITE 15MM | | X | X | X |
| 180 | Leiding dwk-boiler ZGCII | CONDUITE VANNE 3 VOIES-BOILER ZGCII | | X | X | X |
| 181 | Koppelingsset Boiler Combi | KIT DE RACCORDEMENT BOILER | S4272100 | X | X | X |
| | Drukkring M35 30ø | KIT DE RACCORDEMENT BOILER | | X | X | X |
| | Wartel M35 30ø | EMERILLON M35 30° BISEAUTE | S4259500 | X | X | X |
| | Knelring koppeling | RING DE COMPRESSION RACCORD | | X | X | X |
| | O-ring ø26,70X 1,78 Boiler | O-RING Ø 26.70X1.78 BOILER (3X) | S4259800 | X | X | X |
| 182 | Driewegklep huis vc o-ring | VANNE 3 VOIES CORPS VC O-RING | S4308200 | X | X | X |
| 183 | Cartridge vc-driewegklep | CARTOUCHE VC-VANNE 3 VOIES | S4268400 | X | X | X |
| 185 | Kniekoppeling 28x28mm knel | RACCORD BICON COUDE 28X28MM | | X | X | X |
| 186 | Leiding retour-dwklep zgc | CONDUITE RETOUR-VANNE 3 VOIES ZGC | | X | X | X |
| 187 | Kniekoppeling 22x22mm knel | RACCORD BICON COUDE 22X22MM | | X | X | X |
| 188 | Leiding expansievat ZGCII | CONDUITE VASE D'EXPANSION | | X | X | X |
| 189 | Koppeling 22mm knel | RACCORD BICON 22MM | | X | X | X |
| 190 | Leiding boiler ZGCII | CONDUITE BOILER ZGCII | | X | X | X |
| 191 | Koppeling 28mm lang | RACCORD BICON 28MM LONGE | | X | X | X |
| 192 | Leiding boiler-ww dwk zgc | CONDUITE BOILER-VANNE 3 VOIES ZGC | | X | X | X |
| 193 | Gasleiding ZGCII | CONDUITE GAZ ZGCII | | X | X | X |
| 194 | Aanvoerleiding ZGCII | CONDUITE DEPART SGC/ZGC/Q-SOLAR | S4493900 | X | X | X |
| 195 | Koppeling 1/2"bux15knel | RACCORD 1/2"EXT X 15MM BICON | | X | X | X |
| 198 | Trechter inlaatcomb. 15mm 200 | ENTONNOIR GR. DE SEC.15mm 200 | S4635600 | X | X | X |



| Pos. | Omschrijving | Description | Art.nr. No. d'article | HR-ZonneGasCombi 200 Liter/Litres | | |
|------|---|--|--------------------------|--------------------------------------|----|----|
| | | | | 15 | 24 | 35 |
| 220 | Overstort 1/2" 3 bar | VANNE DE SÉCURITÉ 1/2" BAR | | X | X | X |
| 221 | T-stuk 22x1/2" bi x 22 | PIECE T 22 X 1/2"INT X 22 | | X | X | X |
| 222 | Leiding terugloopvat-pomp | CONDUITE VASE RETOUR - POMPE | | X | X | X |
| 223 | T-stuk 22x22x22mm knel | PIECE T BICON 22X22X22 | | X | X | X |
| 224 | Leiding collector retour | CONDUITE CAPTEUR RETOUR | | X | X | X |
| 225 | T-stuk 22x1/2" bi x 22 | PIECE T 22 X 1/2"INT X 22 | | X | X | X |
| 226 | Vul- en aftapkraan 1/2" bu | VANNE DE REMPLISSAGE/VIDANGE | S1002200 | X | X | X |
| 227 | Leiding collector onder pomp | CONDUITE CAPTEUR SOUS POMPE | | X | X | X |
| 228 | T-stuk 22x22x22mm knel | PIECE T BICON 22X22X22 | | X | X | X |
| 229 | Leiding collector retour | CONDUITE CAPTEUR RETOUR | | X | X | X |
| 231 | Leiding collector retour | CONDUITE CAPTEUR RETOUR | | X | X | X |
| 232 | Kniekoppeling 22x15mm knel | RACCORD BICON COUDE 22X15MM | | X | X | X |
| 233 | Leiding collector terugloopvat | CONDUITE CAPTEUR VASE RETOUR | | X | X | X |
| 234 | T-stuk 22x22 + aftap | PIECE T BICON 22 X 22 + VIDANGE | | X | X | X |
| 236 | Terugloopvat ZGCII + isol | VASE RETOUR ZGCII + ISOLATION | | X | X | X |
| 237 | Kniekoppeling 15x15mm knel | RACCORD GENOU A COMPR.15 X 15 | S4178600 | X | X | X |
| 238 | Leiding collector aanvoer | CONDUITE CAPTEUR ALIMENTATION | | X | X | X |
| 239 | Doorstroombegrenzer22MM Ø3,1 | LIMITEUR DE DÉBIT 22MM Ø3,1 ZLB | S0031700 | X | X | X |
| 240 | Leiding collector boven pomp | CONDUITE CAPTEUR DESUS POMP | | X | X | X |
| 143 | Pomp UPR 15-60 130 Zondeel | POMPE UPR 15-60 130 SOLAR | S4108100 | X | X | X |
| | Energiezuinige pomp als vervanging voor toestellen tot 8/15: | Pompe écoénergétique en remplacement des appareils jusqu'à 8/15 : | | | | |
| | Pomp UPMO 15-60 130 3U | POMPE UPMO 15-60 130 3U | S5033900 | X | X | X |
| | Ombouwset leegloop -> druk | KIT DE CONVERSION Q-SOLAR VIDANGE-PRES S4610000 | | X | X | X |

Onderhoudssets en Speciaal-gereedschap / Kit d'entretien et outillage speciale

| Pos. | Art.nr. | Omschrijving | Description | Eco P | | Enigma HR3000 | | Blauwe Engel HR5000 | | | | | | | | ZGC | | | |
|------|---------------------|--|--|---|--------|---------------|--------|---------------------|--------|--------|--------|--------|--------|--------|--------|-----------|-----------|----|----|
| | | | | 24C | 24/32C | HR3033 | HR3035 | HR5002 | HR5003 | HR5033 | HR5005 | HR5055 | HR5007 | HR5077 | HR5008 | HR-ZGC 24 | HR-ZGC 35 | | |
| 1 | S4677300 | Onderhoudsset S-HR 15/24 zonder brander | KIT D'ENTRETIEN S-HR 15/24 sans brûleur | X | X | X | X | X | X | X | | | | | | | X | | |
| | Inhoud: | S4306300 | Afdichting wisselaar/condensbak SHR15/24 | JOINT ECHANG./BAC CONDENS. SHR15/24 | | | | | | | | | | | | | | | |
| | Contenance: | S4397100 | Afdichting ontstekingselectrode laag | KIT JOINT ETANCHIET IONIS/ALLUM.SHR | | | | | | | | | | | | | | | |
| | | S4397100 | Afdichting ontstekingselectrode hoog | KIT JOINT ETANCHIET IONIS/ALLUM.SHR | | | | | | | | | | | | | | | |
| | | S4340830 | Afdichting gasblokkoppeling 3/4" | JOINT RACCORD 3/4" BLOC GAZ SHR | | | | | | | | | | | | | | | |
| | | S4305910 | Afdichting branderbed SHR15/24 | JOINT BRULEUR SHR15/24 | | | | | | | | | | | | | | | |
| | | S4440200 | Slang siliconen L: 280mm | TUYAU SILICONE L=14CM | | | | | | | | | | | | | | | |
| 2 | S4677400 | Onderhoudsset S-HR 35 zonder brander | KIT D'ENTRETIEN S-HR 35 sans brûleur | | X | | X | | | | X | X | | | | | | X | |
| | Inhoud: | S4306400 | Afdichting wisselaar/condensbak SHR35 | JOINT ECHANG./BAC CONDENSAT SHR35 | | | | | | | | | | | | | | | |
| | Contenance: | S4397100 | Afdichting ontstekingselectrode laag | KIT JOINT ETANCHIET IONIS/ALLUM.SHR | | | | | | | | | | | | | | | |
| | | S4397100 | Afdichting ontstekingselectrode hoog | KIT JOINT ETANCHIET IONIS/ALLUM.SHR | | | | | | | | | | | | | | | |
| | | S4340830 | Afdichting gasblokkoppeling 3/4" | JOINT RACCORD 3/4" BLOC GAZ SHR | | | | | | | | | | | | | | | |
| | | S4306000 | Afdichting branderbed SHR35 | JOINT BRULEUR SHR35 | | | | | | | | | | | | | | | |
| | | S4440300 | Slang siliconen L: 500mm | TUYAU SILICONE L=25CM | | | | | | | | | | | | | | | |
| 3 | S4677500 | Onderhoudsset S-HR 51/60 zonder brander | KIT D'ENTRETIEN S-HR 51/60 sans brûleur | | | | | | | | | | | | | X | X | X | |
| | Inhoud: | S4306500 | Afdichting wisselaar/condensbak SHR51/60 | JOINT ECHANG./BAC CONDENS. SHR51/60 | | | | | | | | | | | | | | | |
| | Contenance: | S4397100 | Afdichting ontstekingselectrode laag | KIT JOINT ETANCHIET IONIS/ALLUM.SHR | | | | | | | | | | | | | | | |
| | | S4397100 | Afdichting ontstekingselectrode hoog | KIT JOINT ETANCHIET IONIS/ALLUM.SHR | | | | | | | | | | | | | | | |
| | | S4340830 | Afdichting gasblokkoppeling 3/4" | JOINT RACCORD 3/4" BLOC GAZ SHR | | | | | | | | | | | | | | | |
| | | S4306110 | Afdichting branderbed SHR51/60 | JOINT BRULEUR SHR51/60 | | | | | | | | | | | | | | | |
| | | incl. warmtegeleiders en slang siliconen L=820mm | | incl. conducteurs de chaleur et tuyau silicou L=820mm | | | | | | | | | | | | | | | |
| | Optie: | | | Option: | | | | | | | | | | | | | | | |
| 1 | S4419110 | Ontluchter E/PF/SHR | | PURGEUR E/PF/SHR CHROME | X | X | X | X | X | X | X | X | X | X | X | X | X | X | |
| 2 | S4268400 | Cartridge driewegklep VC | | CARTOUCHE VC-VANNE 3 VOIES | X | X | X | X | | | X | X | X | X | X | X | X | X | |
| 3 | S4344630 | Overstortventiel 3 bar | | VANNE DE SÉCURITÉ 3 BAR PF/E/SHR | X | X | X | X | X | X | X | X | X | X | X | X | X | X | |
| 4 | S4472810 | Isolatieplaten L+R, SHR 2x | | KIT REVISION ISOLATION CACHE | X | X | X | X | X | X | X | X | X | X | X | X | X | X | |
| 5 | S4312300 | O-Ring Aanvoer-/Retour warmtewisselaar 2x | | O-RING Ø 29.74X3.53 DEPART/RET. (2X) | X | X | X | X | X | X | X | X | X | X | X | X | X | X | |
| | Gereedschap: | | | Outillage: | | | | | | | | | | | | | | | |
| 6 | S4368310 | Servicekoffer S-HR | | VALISE DE SERVICE S-HR | X* | X* | X* | X* | X | X | X | X | X | X | X | X | X | X* | X* |
| 7 | S4363700 | Sleutel warmtewisselaar 5mm Inbus | | TOURNEVIS ALLEN LONGE ECH. | X | X | X | X | X | X | X | X | X | X | X | X | X | X | |
| 8 | S4452900 | Sleutel cartridge VC driewegklep | | CARTOUCHE CLEF VC-VANNE A 3 VOIES | X | X | X | X | | | X | X | X | X | X | X | X | X | |
| 9 | S4278100 | Sleutelset 8mm (L=350MM), Bits: Kruiskop, Inbus 4 en 5mm | | KIT DE CLEFS 8MM (L=350MM), Bits: Philips, Inbus 4 et 5mm | X | X | X | X | X | X | X | X | X | X | X | X | X | X | |

* M.u.v. stuurautomaat voor Eco P, Enigma HR3000 en HR-ZGC

* Excl. boîtier de commande pour Eco P, Enigma HR3000 et HR-ZGC



LET OP!

Indien een Blauwe Engel HR5000, Eco (P), Enigma HR3000 of HR ZonneGasCombi in de tussentijd voorzien is van een nieuwe OSS-warmtewisselaar dan moet een van de onderstaande onderhoudsets geselecteerd worden. Een ketel voorzien van een OSS warmtewisselaar is herkenbaar door:

1. Sticker OSS-Inside:

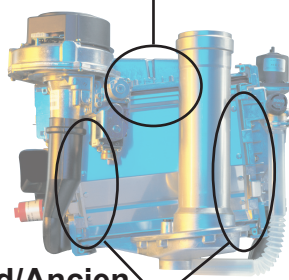


2. OSS warmtewisselaar:

OSS1: 15 en 24kW
OSS2: 32 en 35kW*
OSS4: 51 en 60kW

* Dus ook voor 24/32!

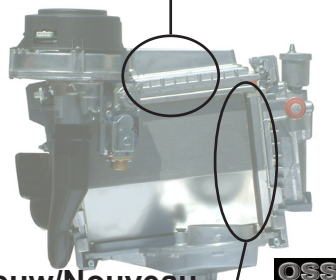
Eerste type wisselaar
Rode branderpakking zichtbaar
Premier type échangeur
Joint rouge de brûleur rouge visible



Oud/Ancien

Afdichtstrips aan beide zijden
Des bandes d'étanchéité des deux côtés

OSS wisselaar
Branderpakking NIET zichtbaar
Échangeur OSS
Joint rouge de brûleur rouge PAS visible



Nieuw/Nouveau

1 U-vormige afdichting rechts
Un joint en forme d'U à droite

1. Autocollant OSS Inside:

2. OSS échangeur de chaleur:

OSS1: 15 et 24 kW
OSS2: 32 et 35 kW *
OSS4: 51 et 60 kW

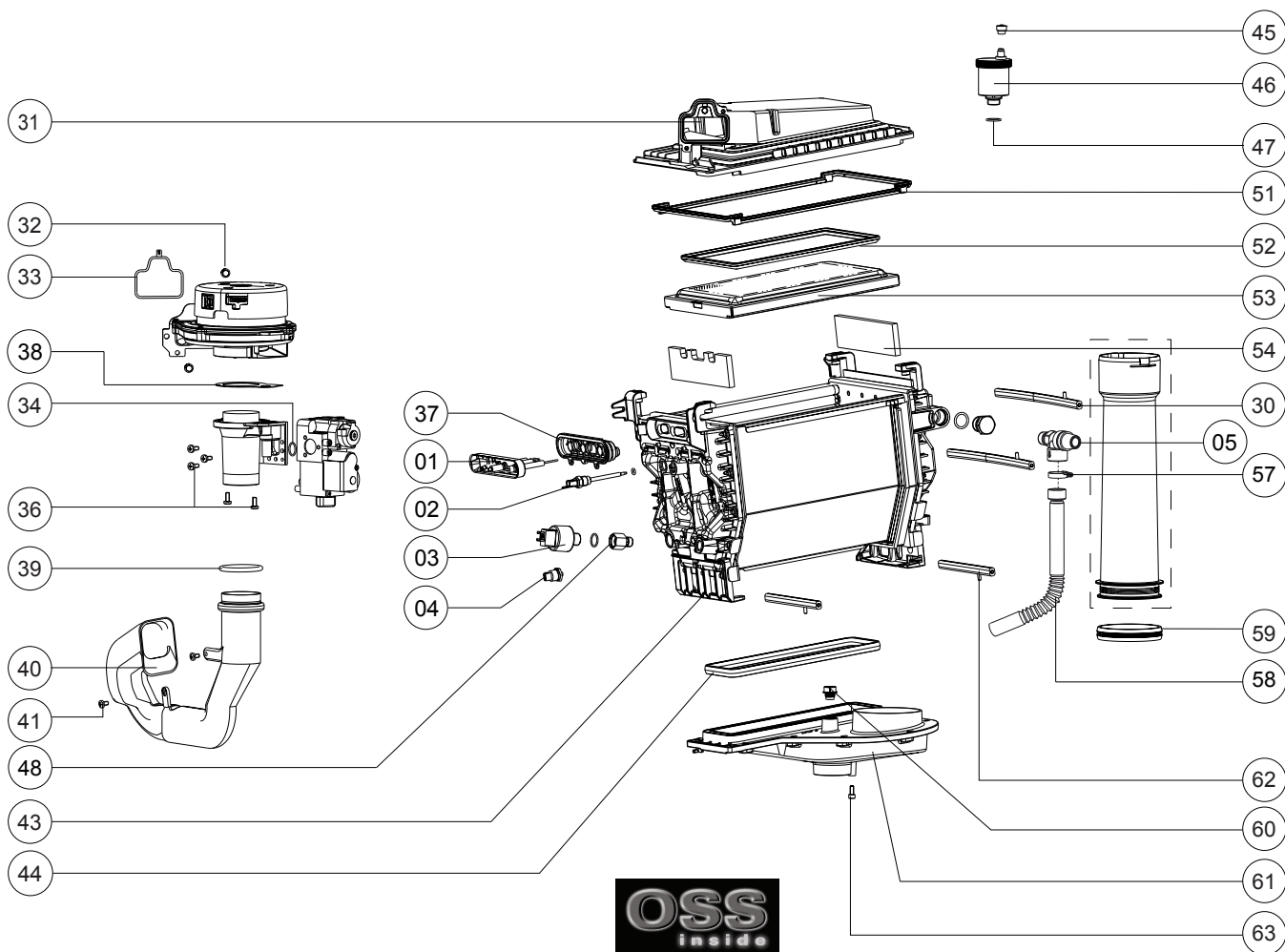
* Également pour 24/32!



| Pos. | Art.nr. No. d'article | Omschrijving Description | Eco P | | Enigma HR3000 | | Blauwe Engel HR5000 | | | | | | | | ZGC | |
|-------------|--------------------------|---|---|--------|---------------|--------|---------------------|--------|--------|--------|--------|--------|--------|--------|-----------|-----------|
| | | | 24C | 24/32C | HR3033 | HR3035 | HR5002 | HR5003 | HR5033 | HR5005 | HR5055 | HR5007 | HR5077 | HR5008 | HR-ZGC 24 | HR-ZGC 35 |
| 1 | S4784700 | Onderhoudsset OSS1 | KIT D'ENTRETIEN OSS1 | | | | | | | | | | | | | |
| Inhoud: | S4709800 | Afdichting ontsteking/ionisatie OSS | JOINT IONISATION/ALLUMAGE E/Q | | | | | | | | | | | | | |
| Contenance: | S4709100 | Afdichting wisselaar/bovenbak OSS1 | JOINT ECHANGEUR/MELANGEUR OSS1 | | | | | | | | | | | | | |
| | S4717200 | Afdichting brander/bovenbak OSS1 | JOINT ECHANGEUR/MELANGEUR OSS1 | | | | | | | | | | | | | |
| | S4709500 | Afdichting onderbak OSS1 | JOINT BAC CONDENSATS OSS1 | | | | | | | | | | | | | |
| | S4340830 | Afdichting gasblokkoppeling 3/4" | JOINT RACCORD 3/4" BLOC GAZ SHR | | | | | | | | | | | | | |
| | S4749500 | O-ring ø 14.30x2.40 Gasleiding A/E(3x) | O-RING Ø14.30X2.40 CONDUITE GAZ 3X | | | | | | | | | | | | | |
| | | | Niet nodig / Inutile | | | | | | | | | | | | | |
| 2 | S4784800 | Onderhoudsset OSS2 | KIT D'ENTRETIEN OSS2 | | | | | | | | | | | | | |
| Inhoud: | S4709800 | Afdichting ontsteking/ionisatie OSS | JOINT IONISATION/ALLUMAGE E/Q | | | | | | | | | | | | | |
| Contenance: | S4718400 | Afdichting wisselaar/bovenbak OSS2 | JOINT ECHANGEUR/MELANGEUR OSS2 | | | | | | | | | | | | | |
| | S4717300 | Afdichting brander/bovenbak OSS2 | JOINT ECHANGEUR/MELANGEUR OSS2 | | | | | | | | | | | | | |
| | S4714900 | Afdichting onderbak OSS2 | JOINT BAC CONDENSATS OSS2 | | | | | | | | | | | | | |
| | S4340830 | Afdichting gasblokkoppeling 3/4" | JOINT RACCORD 3/4" BLOC GAZ SHR | | | | | | | | | | | | | |
| | S4749500 | O-ring ø 14.30x2.40 Gasleiding A/E(3x) | O-RING Ø14.30X2.40 CONDUITE GAZ 3X | | | | | | | | | | | | | |
| | | | Niet nodig / Inutile | | | | | | | | | | | | | |
| 3 | S4784900 | Onderhoudsset OSS4 | KIT D'ENTRETIEN OSS4 | | | | | | | | | | | | | |
| Inhoud: | S4709800 | Afdichting ontsteking/ionisatie OSS | JOINT IONISATION/ALLUMAGE E/Q | | | | | | | | | | | | | |
| Contenance: | S4719900 | Afdichting wisselaar/bovenbak OSS4 | JOINT ECHANGEUR/MELANGEUR OSS3/4 | | | | | | | | | | | | | |
| | S4717400 | Afdichting brander/bovenbak OSS4 | JOINT ECHANGEUR/MELANGEUR OSS3/4 | | | | | | | | | | | | | |
| | S4724500 | Afdichting onderbak OSS4 | JOINT BAC CONDENSATS OSS3/4 | | | | | | | | | | | | | |
| | S4340830 | Afdichting gasblokkoppeling 3/4" | JOINT RACCORD 3/4" BLOC GAZ SHR | | | | | | | | | | | | | |
| | S4749500 | O-ring ø 14.30x2.40 Gasleiding A/E(3x) | O-RING Ø14.30X2.40 CONDUITE GAZ 3X | | | | | | | | | | | | | |
| | | | Niet nodig / Inutile | | | | | | | | | | | | | |
| | | Optie: | Option: | | | | | | | | | | | | | |
| 4 | S4419110 | Ontluchter E/PF/SHR | PURGEUR E/PF/SHR CHROME | | | | | | | | | | | | | |
| 5 | S4344630 | Overstortventiel 3 bar | VANNE DE SÉCURITÉ 3 BAR PF/E/SHR | | | | | | | | | | | | | |
| | | | | | | | | | | | | | | | | |
| | | Gereedschap: | Outillage: | | | | | | | | | | | | | |
| 6 | S4363700 | Sleutel warmtewisselaar 5mm Inbus | TOURNEVIS ALLEN LONGE ECH. | | | | | | | | | | | | | |
| 7 | S4452900 | Sleutel cartridge VC driewegklep | CARTOUCHE CLEF VC-VANNE A 3 VOIES | | | | | | | | | | | | | |
| 8 | S4278100 | Sleutelset 8mm (L=350MM), Bits: Kruioskop, Inbus 4 en 5mm | KIT DE CLEFS 8MM (L=350MM), Bits: Philips, Inbus 4 et 5mm | | | | | | | | | | | | | |

Zie de volgende pagina's voor overige specifieke OSS warmtewisselaar-onderdelen.

Voir les pages suivantes pour les autres pièces détachées spécifiques pour échangeur de chaleur OSS.



| OSS warmtewisselaar-onderdelen | | Pièces détachées échangeur OSS | | | | | |
|--------------------------------|------------------------------------|---|----------|------|------|------|------|
| Pos. | Omschrijving | Description | Nr. | OSS1 | OSS2 | OSS3 | OSS4 |
| 01 | Ontstekingselectrode + pakking OSS | ELECTRODE D'ALLUMAGE+JOINT OSS | S4710100 | X | X | X | X |
| | Aardkabel Q + E | ALLUMAGE CABLE TERRE Q/E | S4723200 | X | X | X | X |
| 02 | Aanvoersensor NTC T1 / E-PF NTC T3 | NTC DEPART T1 / E-PF NTC T3 | S4307420 | X | X | X | X |
| 03 | Waterdruksensor + waterslot | SONDE PRESSION D'EAU + CLAPET ANTI-RETS | S4466300 | X | X | X | X |
| 04 | NTC SHR/Boiler/ZGC T2/T3/T8/T9 | SONDE NTC SHR/ZGC T2/T3/T8/T9 | S4309700 | X | X | X | X |
| 05 | Overstortventiel 3bar | VANNE DE SÉCURITÉ 3 BAR PF/E/SHR | S4344630 | X | X | X | X |
| 30 | Klemstang bovenbak lang | BARRE DE SERR. LONGUE TETE MEL. SHR | S4310800 | X | X | X | X |
| 31 | Bovenbak sam. OSS1 | KIT TETE MELANGEUSE ECHANGEUR OSS1 | S4735000 | X | | | |
| | Bovenbak sam. OSS2 | KIT TETE MELANGEUSE ECHANGEUR OSS2 | S4735100 | | X | | |
| | Bovenbak sam. OSS3/4 | KIT TETE MELANGEUS ECHANGEUR OSS3/4 | S4735200 | | | X | X |
| 32 | Bout m 5x16 din933.8.8 5x | BOULON M 5X16 (5X) | S4313100 | X | X | X | X |
| 33 | Afdichting vent./bovenbak | JOINT VENTILATEUR/TETE MELANG. SHR | S4305700 | X | X | X | X |
| 34 | Afdichting gasblok-venturi | JOINT D'ETANCHIETE BLOC GAZ-VENTURI | S4337610 | X | X | X | X |
| 35 | Venturi OSS1 | VENTURI SHR24 | S4318810 | X | | | |
| | Venturi OSS2 | VENTURI SHR35 | S4318920 | | X | | |
| | Venturi OSS3/4 | VENTURI SHR60 | S4319020 | | | X | X |
| 36 | Bout m5x12 gr fase zs din7985 5x | BOULON M 5X12GR FASE ZSDIN7985 5X | S4418710 | X | X | X | X |
| 37 | Afd. Ionisatie/Ontsteking OSS | KIT JOINT ETANCHIET IONIS/ALLUM.SHR | S4397100 | X | X | X | X |
| 38 | Afdichting venturi-ventilator | JOINT VENTURI-VENTILATEUR SHR | S4325610 | X | X | X | X |
| 39 | Afdichtring aanzuigst-vent. | JOINT D'ETANCHEITE ASP.AIR-VENT.SHR | S4309500 | X | X | X | X |
| 40 | Aanzuigstuk OSS1 | ASPIRATINON AIR E/PF/SHR15/24 | S4347510 | X | | | |
| | Aanzuigstuk OSS2 | ASPIRATION AIR E/SHR 32/35 | S4325510 | | X | | |
| | Aanzuigstuk OSS3/4 | ASPIRATION AIR SHR51/60 | S4324720 | | | X | X |
| 41 | Schroef taptite m5x 8 ck-pd 3x | VIS M5 X 8 3X | S4167500 | X | X | X | X |
| 43 | Wisselaar OSS1 | ECHANGEUR DE CHALEUR OSS1 | S4731000 | X | | | |
| | Wisselaar OSS2 | ECHANGEUR DE CHALEUR OSS2 | S4731100 | | X | | |
| | Wisselaar OSS3 | ECHANGEUR DE CHALEUR OSS3 | S4731300 | | | X | |
| | Wisselaar OSS4 | ECHANGEUR DE CHALEUR OSS4 | S4731200 | | | | X |
| | Kogelkopsleutel | TOURNEVIS ALLEN LONGE ECH. | S4363700 | X | X | X | X |
| 44 | Afd. Onderbak OSS1 | JOINT BAC CONDENSATS OSS1 | S4709500 | X | | | |
| | Afd. Onderbak OSS2 | JOINT BAC CONDENSATS OSS2 | S4714900 | | X | | |
| | Afd. Onderbak OSS3/4 | JOINT BAC CONDENSATS OSS3/4 | S4724500 | | | X | X |
| 45 | Dop ontlufter SHR 3x | CAP PURGEUR CALEFFI 3X | S4380600 | X | X | X | X |
| 46 | Ontlufter chrom | PURGEUR E/PF/SHR CHROME | S4419110 | X | X | X | X |
| 47 | O-ring ø13,94x2,62 ontl.2x | O-RING Ø 13.94X2.62 PURGEUR SHR | S4342300 | X | X | X | X |
| 48 | Waterslot | CHAMBRE EQ. SONDE PRESS.D'EAU SHR | S4325900 | X | X | X | X |
| 51 | Afd. Wsslr/Bovenbak OSS1 | JOINT ECHANGEUR/MELANGEUR OSS1 | S4709100 | X | | | |
| | Afd. Wsslr/Bovenbak OSS2 | JOINT ECHANGEUR/MELANGEUR OSS2 | S4718400 | | X | | |
| | Afd. Wsslr/Bovenbak OSS3/4 | JOINT ECHANGEUR/MELANGEUR OSS3/4 | S4719900 | | | X | X |
| 52 | Afd. Brander/Bovenbak OSS1 | JOINT ECHANGEUR/MELANGEUR OSS1 | S4717200 | X | | | |
| | Afd. Brander/Bovenbak OSS2 | JOINT ECHANGEUR/MELANGEUR OSS2 | S4717300 | | X | | |
| | Afd. Brander/Bovenbak OSS3/4 | JOINT ECHANGEUR/MELANGEUR OSS3/4 | S4717400 | | | X | X |
| 53 | Brandercassette sam. OSS1 | KIT BRÛLEUR 24KW | S4714600 | X | | | |
| | Brandercassette sam. OSS2 | KIT BRÛLEUR 38KW | S4714700 | | X | | |
| | Brandercassette sam. OSS3/4 | KIT BRÛLEUR 60KW | S4825600 | | | X | X |
| 54 | Set Isolatie pypplaat Li+Re Q/E | KIT PLAQUES ISOLATION OSS | S4730900 | | X | | |
| 57 | Slangklem 20-32 mm RVS | COLLIER SERRAGE TUYAU 20-32MM INOX | S4395600 | X | X | X | X |
| 58 | Leiding overstort kort | CONDUITE VANNE SÉCURITÉ SHR | S4467300 | X | X | X | X |
| | Leiding overstort lang | CONDUITE VANNE DE SECURITE PF/ESHR | S4421400 | X | X | | |
| 59 | Lip-ring ø63 amgas | JOINT A LEVRE Ø 63 AMGAS | S4307900 | X | | | |
| | Lip-ring ø80 amgas | JOINT A LEVRE Ø 80 AMGAS | S4304200 | | X | X | X |
| 60 | Stop rookgassensor | BOUCHON COLLECTEUR DE CONDENSATS | S4339200 | X | X | X | X |
| 61 | Onderbak sam. OSS1 | BAC CONDENSATS COMPL. OSS1 | S4730600 | X | | | |
| | Onderbak sam. OSS2 | BAC CONDENSATS COMPL. OSS2 | S4730700 | | X | | |
| | Onderbak sam. OSS3/4 | BAC CONDENSATS COMPL. OSS3/4 | S4730800 | | | X | X |
| 62 | Klemstang condensbak | BARRE DE SERR. BAC CONDENS.PF/E/SHR | S4310700 | X | X | X | X |
| 63 | Schroef M 5X12 imbus VERZ. 3x | BOULON M 5X12 ALLEN 3X | S4440000 | X | X | X | X |

ATAG